



fives



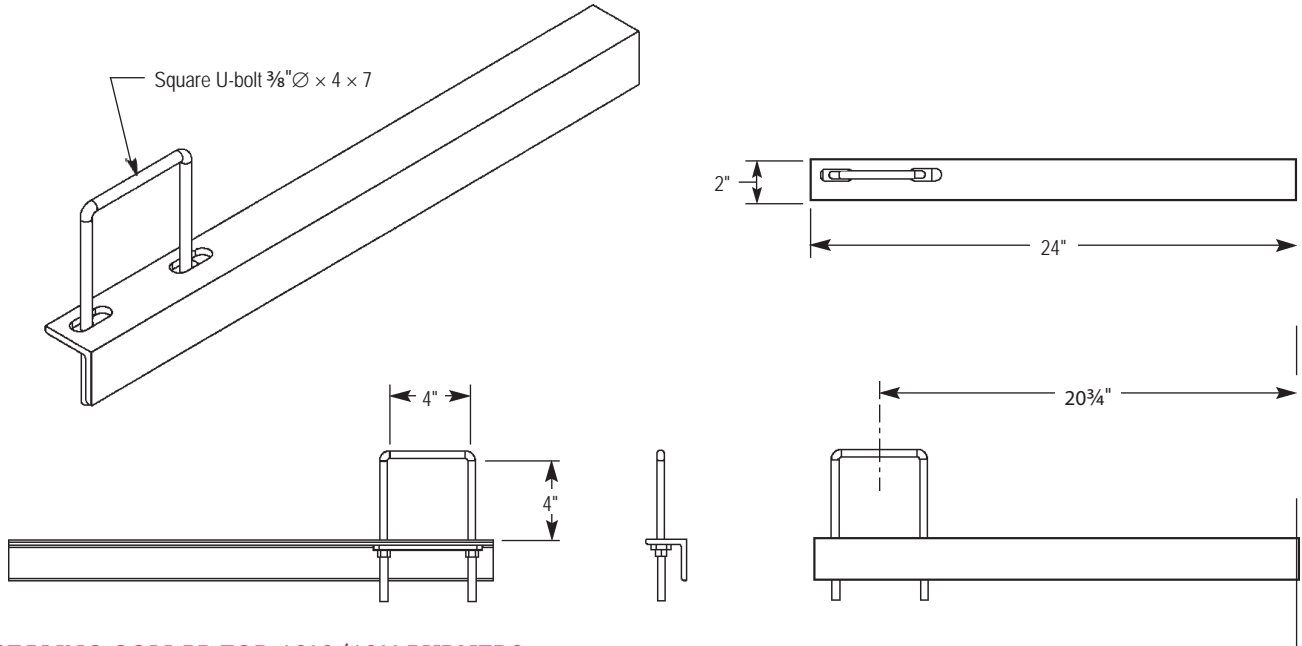
PROCESS
TECHNOLOGIES

ENERGY | COMBUSTION

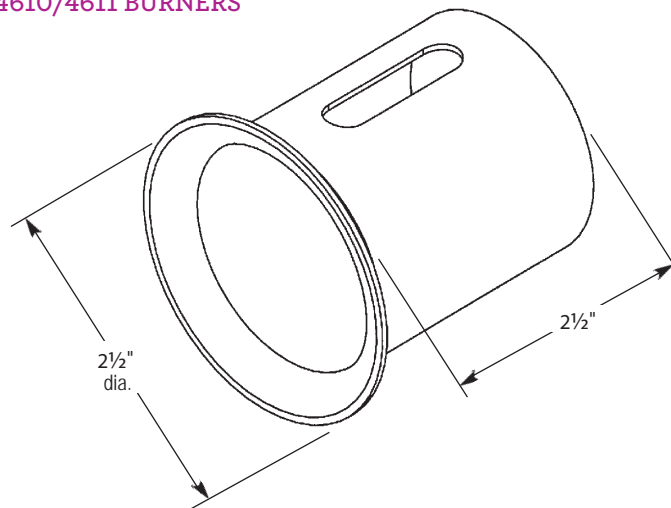
Glass Forehearth Burner Options

4610MB MOUNTING BRACKET SYSTEM FOR 4610/4611 BURNERS

Sheet 4610-1



4610SC SEALING COLLAR FOR 4610/4611 BURNERS



WARNING: Situations dangerous to personnel and property may exist with the operation and maintenance of any combustion equipment. The presence of fuels, oxidants, hot and cold combustion products, hot surfaces, electrical power in control and ignition circuits, etc., are inherent with any combustion application. Components in combustion systems may exceed 160°F (71°C) surface temperatures and present hot surface contact hazard. Fives North American Combustion, Inc. suggests the use of combustion systems that are in compliance with all Safety Codes, Standards, Regulations and Directives; and care in operation.

CONTACT

fna.sales@fivesgroup.com

T +1 800 626 3477 - F +1 216 373 4237

Fives North American Combustion, Inc.
 4455 East 71st Street - Cleveland, OH 44105 - USA
www.fivesgroup.com



fives

Industry can do it