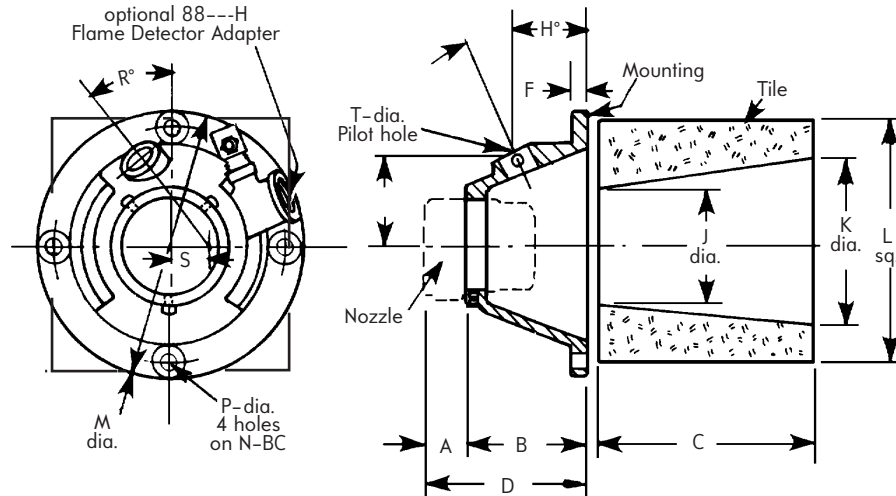
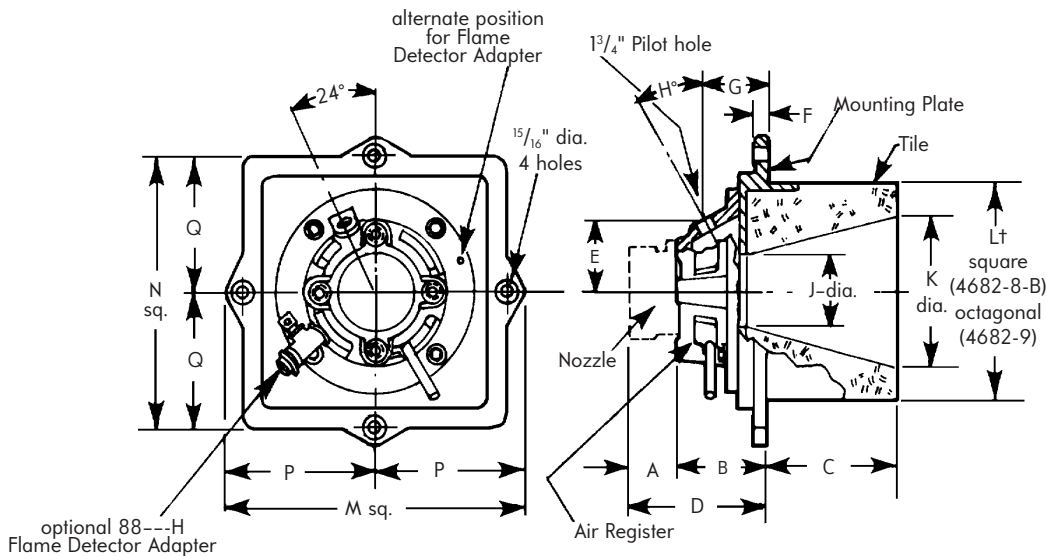


MOUNTING & TILE DIMENSIONS



4682-0 through -7



4682-8 and -9

Table 3

Mounting designation	dimensions in inches and degrees.																Tile part numbers		
	A	B	C	D	E	F	G	H°	J	K	L†	M	N	P	Q	R°		S	T
4682-0-MP†	2 1/16	2 5/8	5 1/2	4 1/16	2 1/16	1/2	1 15/16	25	1 3/4	3	5	6	5 1/4	7/16	-	40	5/8	1 1/64	4-2653-1
4682-1-MP	1 15/16	2 5/8	7	4 9/16	2 1/16	1/2	1 15/16	25	2 5/16	4	6	6	5 1/4	7/16	-	40	5/8	1 1/64	4-2653-2
4682-2-MP	2 1/16	2 7/8	7	4 15/16	2 1/4	1/2	2 1/8	25	2 5/16	4	6	6 1/2	5 3/4	7/16	-	45	7/8	1 1/64	4-2653-2
4682-3-MP	2	3 3/16	8	5 9/16	2 5/16	1/2	2 13/16	30	2 3/4	4 1/2	7	7 1/2	6 3/4	7/16	-	40	1	1 1/64	4-2653-3
4682-4-MP	1 7/16	4	9	5 7/16	3	5/16	2 7/16	30	3 3/8	5 1/2	9	8 3/4	7 3/4	5/16	-	40	1 1/4	1 1/64	4-2653-4
4682-5-MP	1 13/16	4 5/16	9	6 1/8	3 3/8	5/16	2 1 1/16	30	4	6	9	9 3/4	8 3/4	5/16	-	40	1 3/8	1 1/64	4-2653-5
4682-6-MP	2 7/16	4 13/16	9	7 1/4	4	5/8	2 7/8	30	4	6	9	11	10	5/16	-	40	1 3/4	1 9/64	4-2653-5
4682-7-MP	2 1/2	5 3/4	10 15/16	8 1/4	4 13/16	1 1/16	3 1/16	30	6	11 7/16	15 1/8	13 1/2	12 1/4	5/16	-	40	2 5/16	1 9/64	3-0351-6
4682-8-MP	3 13/16	6 9/16	9	10 3/8	6	13/16	3 5/8	30	7 1/2	11 1/4	15 1/8	21 1/2	19 1/2	10 3/4	9 3/4	-	-	-	4-2156-1
4682-9-MP	2 9/16	9 1/16	8 3/4	11 5/8	7 13/16	7/8	4 3/16	26	9 1/2	14	18 5/8	26 1/4	23 3/4	13 3/8	11 7/8	-	-	-	4-2157-1

†4682-0 Nozzle uses 4682-1-MP Mounting.

If tunnels are to be rammed in furnace wall, use dimension "J" at entrance, and taper tunnel at least 15°. Space nozzle about 2" from outer face of wall (see note page 3).

Recommended pilot tip for the 4682-0-MP through 4682-5-MP = 4021-14 (with 1" Slip-Fit connection)

Recommended pilot tip for 4682-6-MP through 4682-7-MP = 4021-16 (with 1 1/8" Slip-Fit connection)

Recommended pilot tip for 4682-6-MP and 4682-9-MP = 4015-1 (with 1 23/32" Slip-Fit connection)