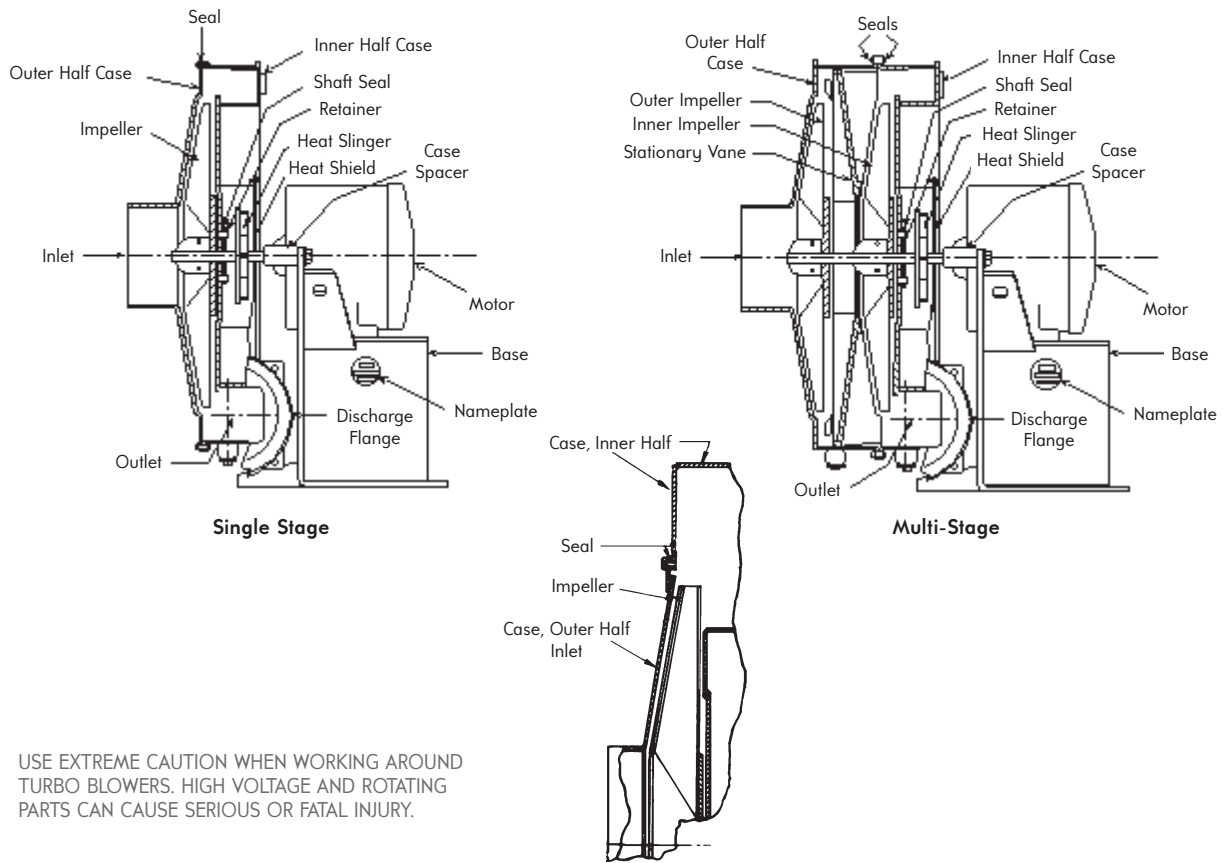
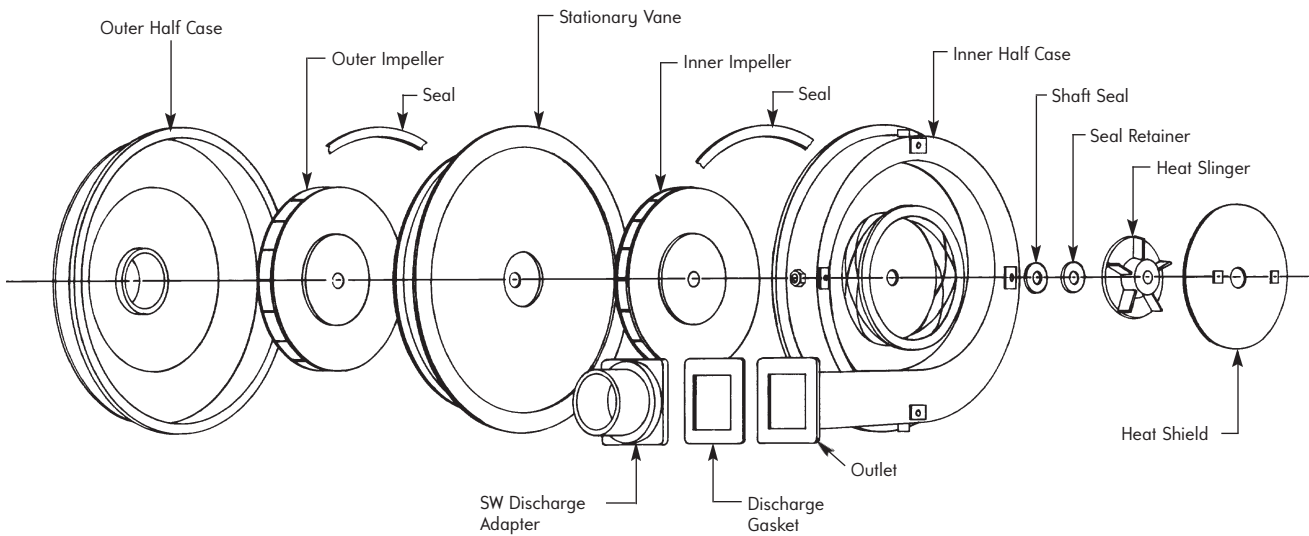


## 2600 and 2600-F BLOWER PARTS



USE EXTREME CAUTION WHEN WORKING AROUND TURBO BLOWERS. HIGH VOLTAGE AND ROTATING PARTS CAN CAUSE SERIOUS OR FATAL INJURY.



Exploded view of a hot air blower case assembly. For single stage blowers, there is no stationary vane and only one impeller.