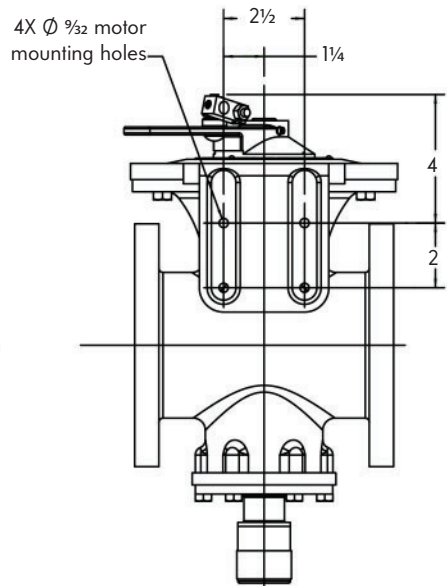
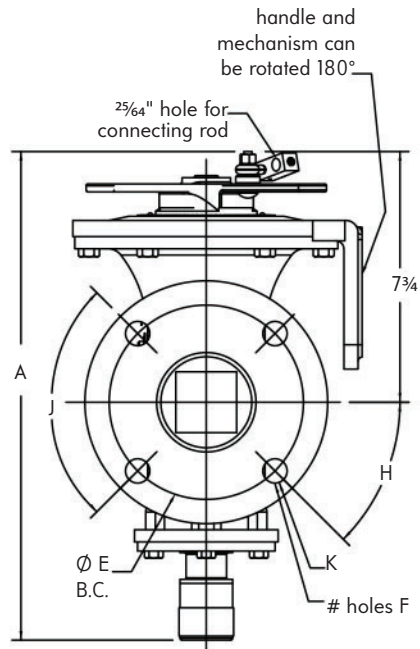
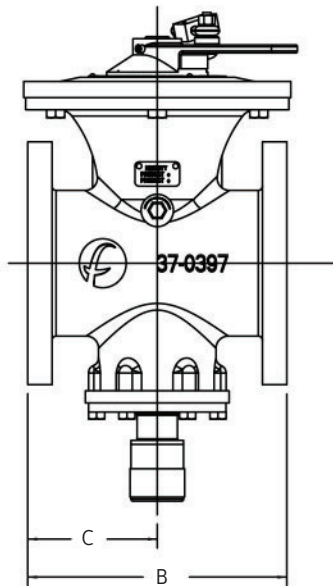
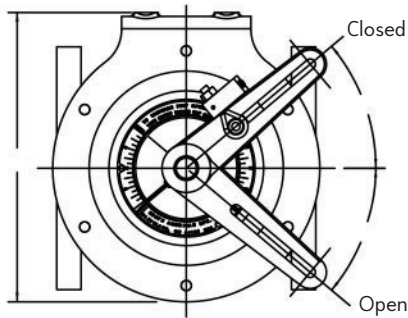


# Dimensions inches | 1008A- -F Valve



Part Number	Pipe Size	dimensions in inches										Approx. Weight
		A	B	C	D	E	F	H	J	K		
1008A-5F	2½"	14	7½	3¾	8 <sup>15</sup> / <sub>16</sub>	5½	4	45°	90°	¾	54 lbs	
1008A-6F	3"	15 <sup>3</sup> / <sub>32</sub>	8	4	8 <sup>15</sup> / <sub>16</sub>	6	4	45°	90°	¾	63½ lbs	
1008A-7F	4"	16 <sup>1</sup> / <sub>8</sub>	9	4½	9 <sup>5</sup> / <sub>16</sub>	7½	8	22.½°	45°	¾	83 lbs.	
1008A-8F	6"	19 <sup>3</sup> / <sub>8</sub>	9¾	4 <sup>7</sup> / <sub>8</sub>	8¼	9½	8	22.½°	45°	7/8	124 <sup>1</sup> / <sub>25</sub> lbs.	

DIMENSIONS SHOWN ARE SUBJECT TO CHANGE. PLEASE OBTAIN CERTIFIED PRINTS FROM FIVES NORTH AMERICAN COMBUSTION, INC. IF SPACE LIMITATIONS OR OTHER CONSIDERATIONS MAKE EXACT DIMENSION(S) CRITICAL.