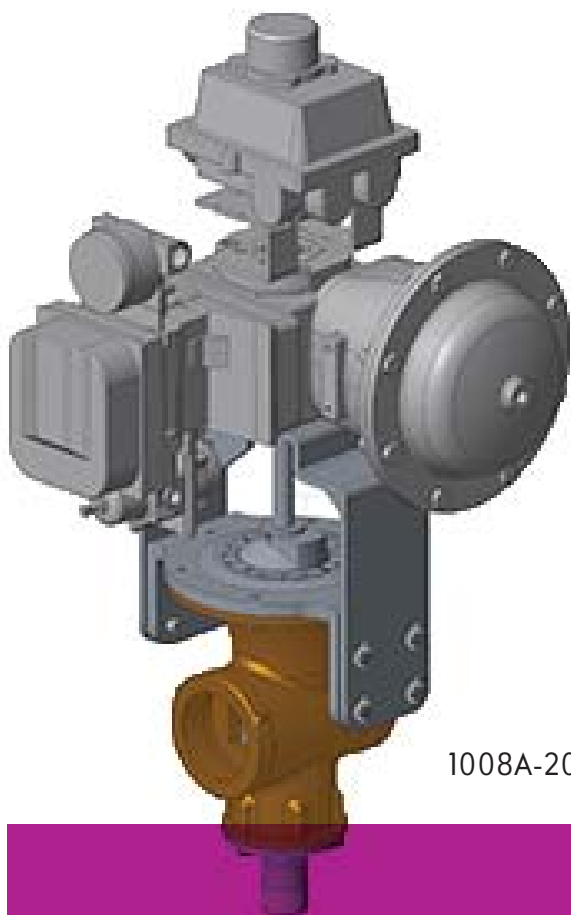
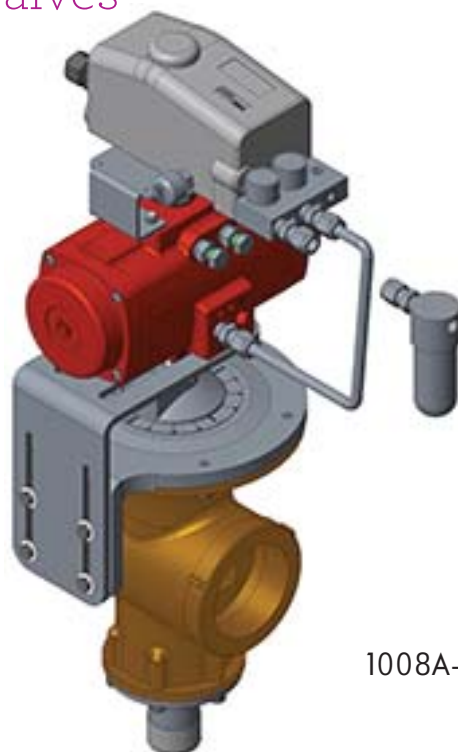


North American Electro-Pneumatic Control Valves



1008A-2052



1008A-EP2

Pneumatically controlled adjustable valve

- Controls natural gas, oil, combustion air & compressed air
- EP2 versions provide low cost, accurate control
- Adjustable port allows fine tuned application
- Highest precision control achieved with 2052 version