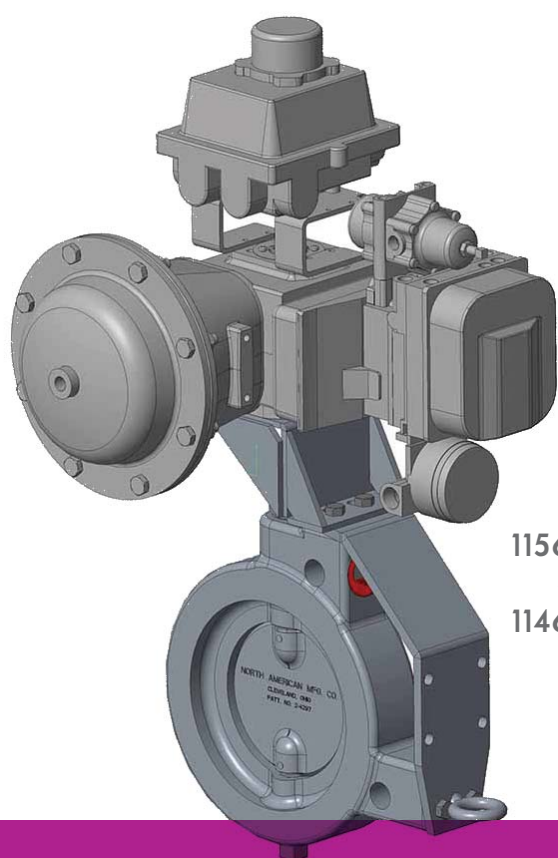
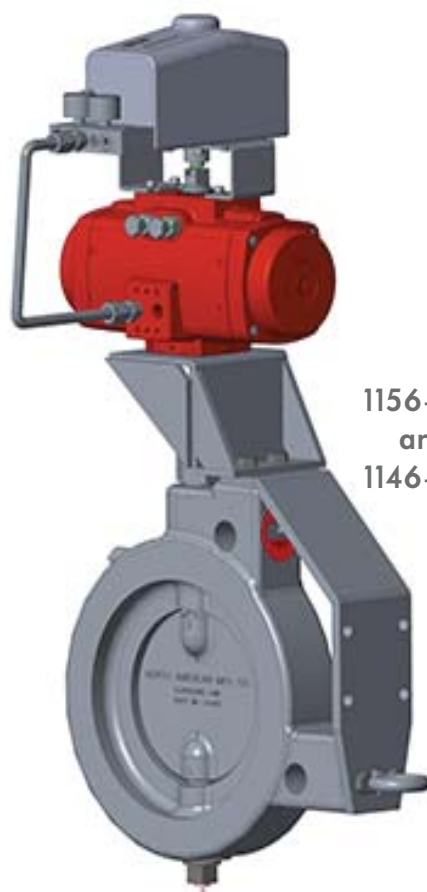


North American Electro-Pneumatic Air Control Valves



1156-2052
and
1146-2052



1156-EP2
and
1146-EP2

Pneumatically controlled swing through air valve

- Controls low pressure combustion air
- Two actuator/positioner combinations depending on specific application
- EP2 versions provide low cost, accurate control
- 2052 versions provide the highest precision control for demanding applications