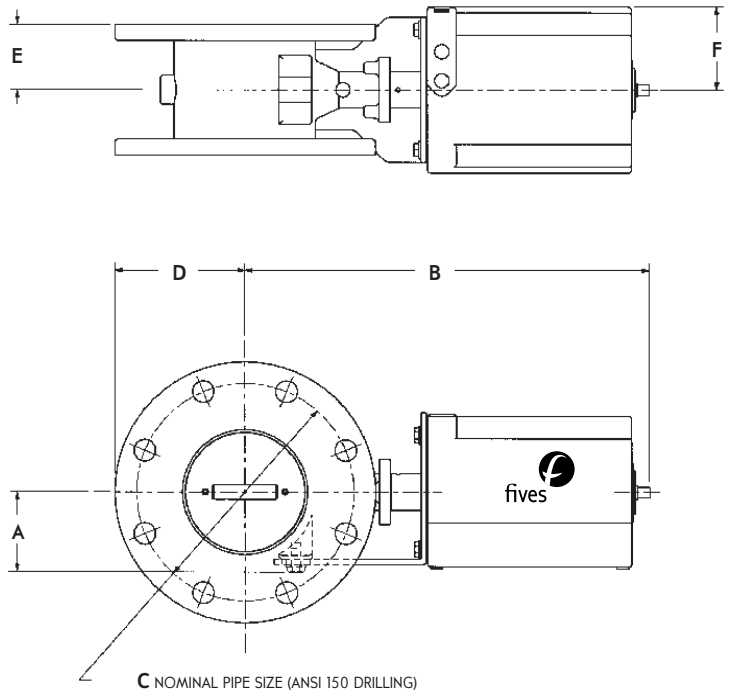


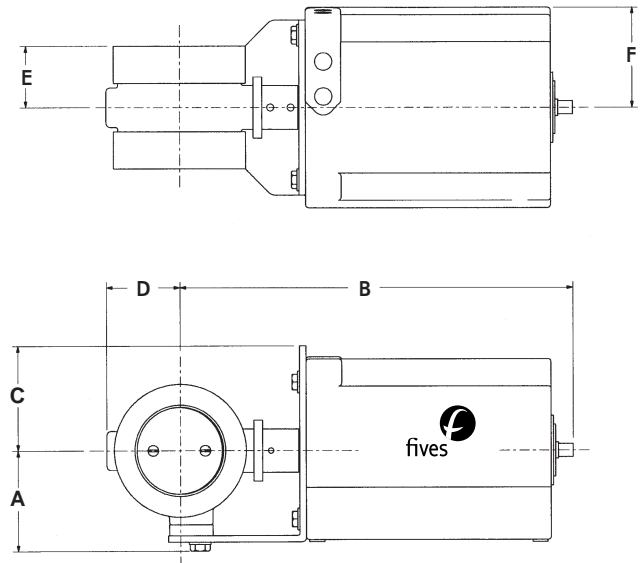
1199- -26 Flanged Butterfly Valve

Valve designation	dimensions in inches					
	A	B	C	D	E	F
1199-6-26F	3 <sup>5</sup> / <sub>16</sub>	13 <sup>5</sup> / <sub>16</sub>	3	3 <sup>3</sup> / <sub>4</sub>	2	2 <sup>19</sup> / <sub>32</sub>
1199-7-26F	2 <sup>7</sup> / <sub>8</sub>	14	4	4 <sup>1</sup> / <sub>2</sub>	2 <sup>1</sup> / <sub>4</sub>	2 <sup>19</sup> / <sub>32</sub>
1199-8-26F	3 <sup>7</sup> / <sub>8</sub>	15 <sup>1</sup> / <sub>16</sub>	6	5 <sup>1</sup> / <sub>2</sub>	2 <sup>1</sup> / <sub>2</sub>	2 <sup>19</sup> / <sub>32</sub>
1199-9-26	5 <sup>1</sup> / <sub>16</sub>	16 <sup>1</sup> / <sub>2</sub>	8	6 <sup>3</sup> / <sub>4</sub>	2 <sup>3</sup> / <sub>4</sub>	2 <sup>19</sup> / <sub>32</sub>
1199-10-26	6 <sup>13</sup> / <sub>16</sub>	17 <sup>3</sup> / <sub>4</sub>	10	8	3 <sup>3</sup> / <sub>4</sub>	2 <sup>19</sup> / <sub>32</sub>
1199-12-26	8 <sup>1</sup> / <sub>8</sub>	19 <sup>1</sup> / <sub>4</sub>	12	9 <sup>1</sup> / <sub>2</sub>	4	2 <sup>19</sup> / <sub>32</sub>
1199-14-26	9 <sup>1</sup> / <sub>8</sub>	20 <sup>1</sup> / <sub>4</sub>	14	10 <sup>1</sup> / <sub>2</sub>	4	2 <sup>19</sup> / <sub>32</sub>
1199-16-26	10 <sup>1</sup> / <sub>2</sub>	21 <sup>1</sup> / <sub>2</sub>	16	11 <sup>3</sup> / <sub>4</sub>	4 <sup>1</sup> / <sub>4</sub>	2 <sup>19</sup> / <sub>32</sub>



1199- -26 Butterfly Valve

Valve designation	dimensions in inches					
	A	B	C	D	E	F
1199-0-26	3	10 <sup>1</sup> / <sub>16</sub>	3	1 <sup>3</sup> / <sub>16</sub>	1 <sup>3</sup> / <sub>16</sub>	2 <sup>19</sup> / <sub>32</sub>
1199-1-26	3	10 <sup>1</sup> / <sub>16</sub>	3	1 <sup>3</sup> / <sub>16</sub>	1 <sup>3</sup> / <sub>16</sub>	2 <sup>19</sup> / <sub>32</sub>
1199-2-26	3	10 <sup>1</sup> / <sub>8</sub>	3	1 <sup>5</sup> / <sub>16</sub>	1 <sup>1</sup> / <sub>4</sub>	2 <sup>19</sup> / <sub>32</sub>
1199-3-26	3	10 <sup>1</sup> / <sub>4</sub>	3	1 <sup>7</sup> / <sub>16</sub>	1 <sup>5</sup> / <sub>16</sub>	2 <sup>19</sup> / <sub>32</sub>
1199-4-26	3	10 <sup>1</sup> / <sub>2</sub>	3	1 <sup>3</sup> / <sub>4</sub>	1 <sup>1</sup> / <sub>2</sub>	2 <sup>19</sup> / <sub>32</sub>
1199-5-26	3	10 <sup>7</sup> / <sub>8</sub>	3	2 <sup>1</sup> / <sub>8</sub>	1 <sup>3</sup> / <sub>4</sub>	2 <sup>19</sup> / <sub>32</sub>
1199-6-26	4 <sup>5</sup> / <sub>8</sub>	11 <sup>1</sup> / <sub>2</sub>	3	2 <sup>7</sup> / <sub>16</sub>	1 <sup>15</sup> / <sub>16</sub>	2 <sup>19</sup> / <sub>32</sub>
1199-7-26	4 <sup>5</sup> / <sub>8</sub>	12 <sup>1</sup> / <sub>16</sub>	3	3	2 <sup>1</sup> / <sub>4</sub>	2 <sup>19</sup> / <sub>32</sub>
1199-8-26	4 <sup>5</sup> / <sub>8</sub>	13 <sup>3</sup> / <sub>16</sub>	3	4 <sup>1</sup> / <sub>8</sub>	2 <sup>9</sup> / <sub>16</sub>	2 <sup>19</sup> / <sub>32</sub>



DIMENSIONS SHOWN ARE SUBJECT TO CHANGE. PLEASE OBTAIN CERTIFIED PRINTS FROM FIVES NORTH AMERICAN COMBUSTION, INC. IF SPACE LIMITATIONS OR OTHER CONSIDERATIONS MAKE EXACT DIMENSION(S) CRITICAL.