

# North American Series 1232 High Temperature B & L

Sheet 1232

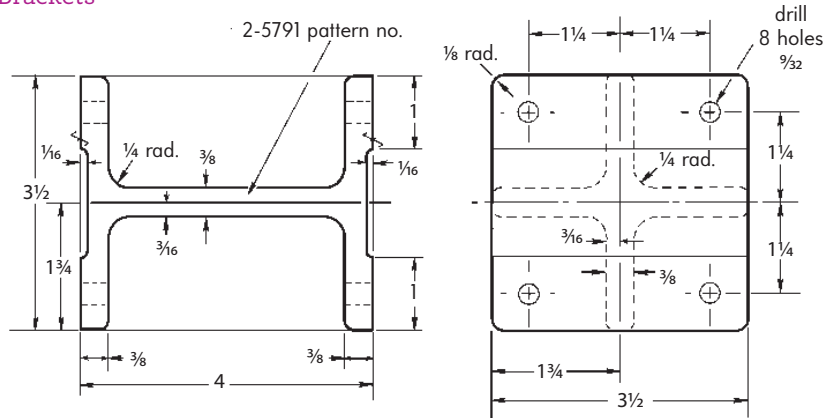
Merely by adding "Series 1232" to any otherwise standard description of bracket and linkage you will get high temperature B & L including a standoff mounting bracket and heat shield. The order will be referred to Engineering for an envelope. The price in all cases will be a uniform additional.

*Example:* 1014-8-E (6") Valve with B & L for Conoflow B10S Operator would be a specification for standard B & L at standard price, while 1014-8-E (6") Valve with Series 1232 B & L for Conoflow B10S Operator would be a specification for a special high temperature B & L which would be referred to Engineering and involve a uniform additional cost.

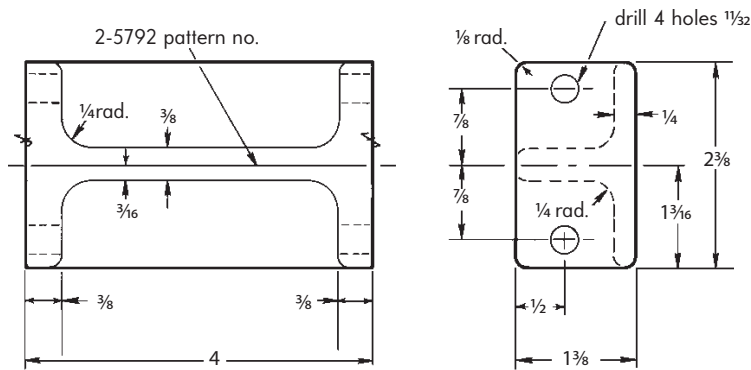
A typical high temperature B & L assembly is illustrated, along with some heat shields and standoff brackets. Contact Fives North American Combustion, Inc. for part number, price, and delivery.

## DIMENSIONS inches

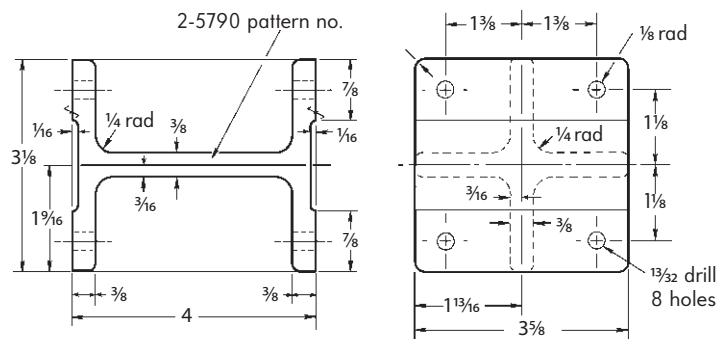
### Standoff Brackets



Used with 1004 and 1008A Adjustable Port Valves



Used with 1146-6, -7, -8, 1156-6, -7, -8, 1126-0 thru -8 Valves



Used with 1146-9 thru -30 Hot Air Wafer Valves