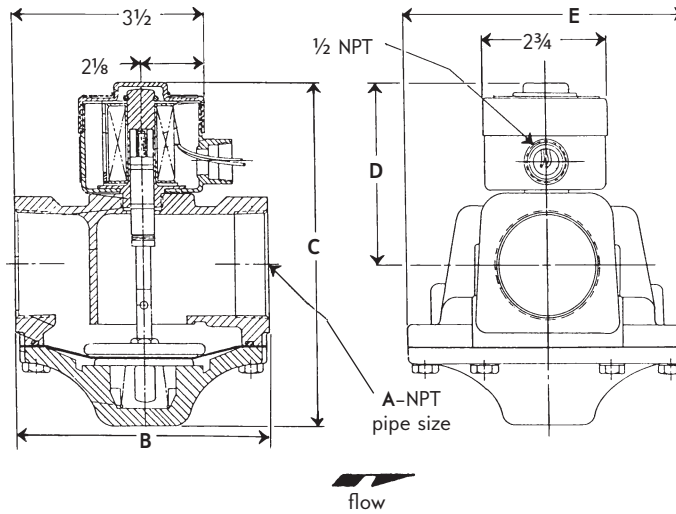


Solenoid Vent Valves (Types 2 and 3R)  
-W (Type 3, 3S, 4, 4X, 6, 6P, 7, and 9)

Valve designation	dimensions in inches				
	A	B	C	D	E
1487A-0, -W	$\frac{3}{4}$	$3\frac{5}{16}$	$4\frac{5}{64}$	$4\frac{3}{64}$	$2\frac{21}{64}$



Solenoid Vent Valves (Types 2 and 3R)  
-W (Types 3, 4, 4X, 7, and 9)

Valve designation	dimensions in inches				
	A	B	C	D	E
1487A-1	1	5	$6\frac{27}{32}$	$3\frac{3}{8}$	$5\frac{3}{8}$
1487A-2	$1\frac{1}{4}$	5	$6\frac{27}{32}$	$3\frac{5}{8}$	$5\frac{3}{8}$
1487A-4	2	$6\frac{3}{32}$	$7\frac{7}{16}$	$3\frac{13}{16}$	$6\frac{5}{16}$
1487A-5	$2\frac{1}{2}$	$7\frac{51}{64}$	$10\frac{1}{4}$	$5\frac{7}{32}$	$7\frac{15}{16}$
1487A-1-W	1	5	$6\frac{31}{32}$	$3\frac{3}{4}$	$5\frac{3}{8}$
1487A-2-W	$1\frac{1}{4}$	5	$6\frac{31}{32}$	$3\frac{3}{4}$	$5\frac{3}{8}$
1487A-4-W	2	$6\frac{3}{32}$	$7\frac{9}{16}$	$3\frac{15}{16}$	$6\frac{5}{16}$

DIMENSIONS SHOWN ARE SUBJECT TO CHANGE. PLEASE OBTAIN CERTIFIED PRINTS FROM FIVES NORTH AMERICAN COMBUSTION, INC. IF SPACE LIMITATIONS OR OTHER CONSIDERATIONS MAKE EXACT DIMENSION(S) CRITICAL.