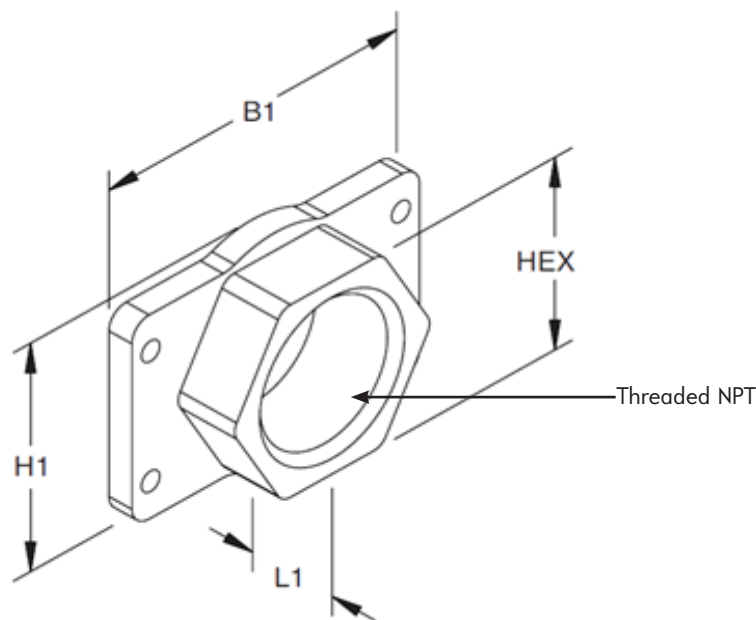
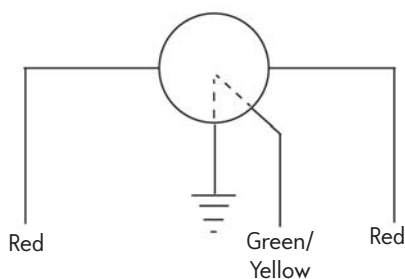


Flange Adapters		B1	H1	L1	HEX
¾" - 1	ins.	4.8	2.5	1.27	2.5
	mm	122	76	32	64
1¼" - 2"	ins.	5	3.56	1.38	3
	mm	127	90	35	76
2" (High Flow) - 3	ins.	7	4.5	2.015	4.5
	mm	178	114	51	114



WIRING

Solenoid Wiring Diagram



WARNING: Situations dangerous to personnel and property may exist with the operation and maintenance of any combustion equipment. The presence of fuels, oxidants, hot and cold combustion products, hot surfaces, electrical power in control and ignition circuits, etc., are inherent with any combustion application. Components in combustion systems may exceed 160°F (71°C) surface temperatures and present hot surface contact hazard. Fives North American Combustion, Inc. suggests the use of combustion systems that are in compliance with all Safety Codes, Standards, Regulations and Directives; and care in operation.

CONTACT

fna.sales@fivesgroup.com

T +1 800 626 3477 - F +1 216 373 4237

Fives North American Combustion, Inc.
4455 East 71st Street - Cleveland, OH 44105 - USA
www.fivesgroup.com



fives
Industry can do it