

# Dimensions | Automatic Shutoff Valves

## 1519 MOTORIZED

Fig. 2

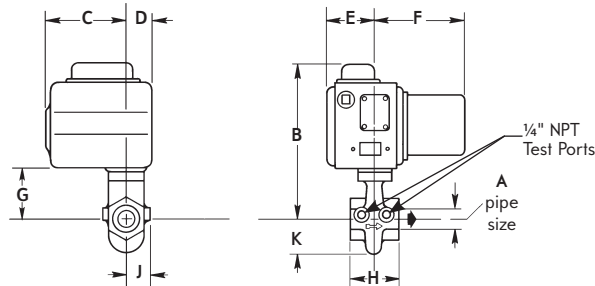


Fig. 2A

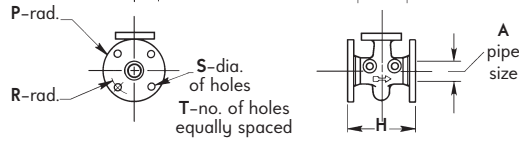
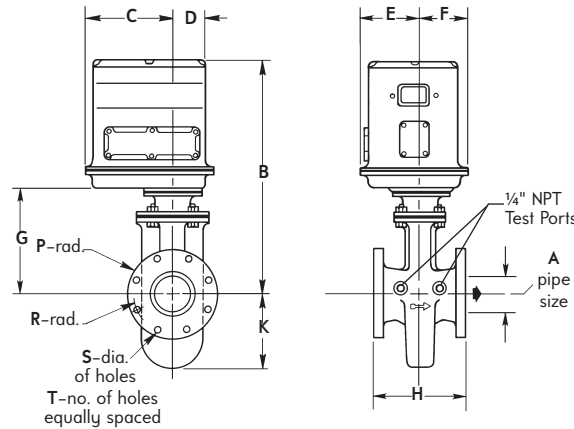


Fig. 3



All valve positions are as shown when shipped as a separate item.

Orientation may be different when part of packaged fuel train.

Valve designation	Fig. no.	dimensions in inches														wt, lb
		A	B	C	D	E	F	G	H	J	K	P	R	S	T	
1519-0	2	3/4	11 3/16	5 1/2	1 7/8	3 1/2	7 11/32	3 1/8	3 13/16	1 9/32	2	—	—	—	—	23
1519-1-(S)	2	1	11 3/16	5 1/2	1 7/8	3 1/2	7 11/32	3 1/8	3 13/16	1 9/32	2	—	—	—	—	23
1519-2	2	1 1/4	11 3/4	5 1/2	1 7/8	3 1/2	7 11/32	3 1 1/16	4	1 1/16	2 7/16	—	—	—	—	24
1519-3-(S)	2	1 1/2	12 7/32	5 1/2	1 7/8	3 1/2	7 11/32	4 1/8	4	1 1/16	2 1 1/16	—	—	—	—	25
1519-4-(S)	2	2	13 1 1/16	7 1 9/32	2 3/8	3 1/2	7 1/2	4 1 1/16	4 3/8	1 1 1/16	3 1/4	—	—	—	—	34
1519-5	2	2 1/2	13 9/16	7 1 9/32	2 3/8	3 1/2	7 1/2	4 5/8	5	2 1/4	3 1/2	—	—	—	—	37
1519-5-F	2A	2 1/2	13 9/16	7 1 9/32	2 3/8	3 1/2	7 1/2	4 5/8	7 1/2	2	3 1/2	3 1/2	2 3/4	3/4	(4)	75
1519-5-E	2	2 1/2	14 9/16	10 5/8	2 27/32	4 7/32	7 1/2	5 1 3/16	5	2 1/4	4 5/16	—	—	—	—	50
1519-5-EF(S)	2A	2 1/2	14 9/16	10 5/8	2 27/32	4 7/32	7 1/2	6 9/16	7 1/2	2 1/4	4 1/2	3 1/2	2 3/4	3/4	(4)	93
1519-6	2	3	13 1 1/16	7 1 9/32	2 27/32	3 1/2	7 1/2	4 1 3/16	5 3/16	2 9/16	2 1 5/16	—	—	—	—	42
1519-6-E	2	3	15 9/32	10 5/8	2 3/8	4 7/32	7 1/2	6 9/16	5 1/2	2 9/16	5 1/8	—	—	—	—	53
1519-6-EF(S)	2A	3	15 9/32	10 5/8	2 27/32	4 7/32	7 1/2	6 9/16	8	2 9/16	5 7/32	3 3/4	3	3/4	(4)	95
1519-7-EF(S)	2A	4	15 9/32	10 5/8	2 27/32	4 7/32	7 1/2	6 9/16	9	2 9/16	5 9/16	4 1/2	3 3/4	3/4	(8)	133
1519-7-XF(S)	3	4	23 7/8	8 5/8	3 7/8	4 7/32	4 9/16	10 7/8	9	—	7 5/16	4 1/2	3 3/4	3/4	(8)	195
1519-8-XF(S)	3	6	25	8 5/8	3 7/8	5 1 3/16	4 9/16	12 1 1/16	10 1/2	—	8 3/8	5 1/2	4 3/4	7/8	(8)	215

DIMENSIONS SHOWN ARE SUBJECT TO CHANGE. PLEASE OBTAIN CERTIFIED PRINTS FROM FIVES NORTH AMERICAN COMBUSTION, INC. IF SPACE LIMITATIONS OR OTHER CONSIDERATIONS MAKE EXACT DIMENSION(S) CRITICAL.