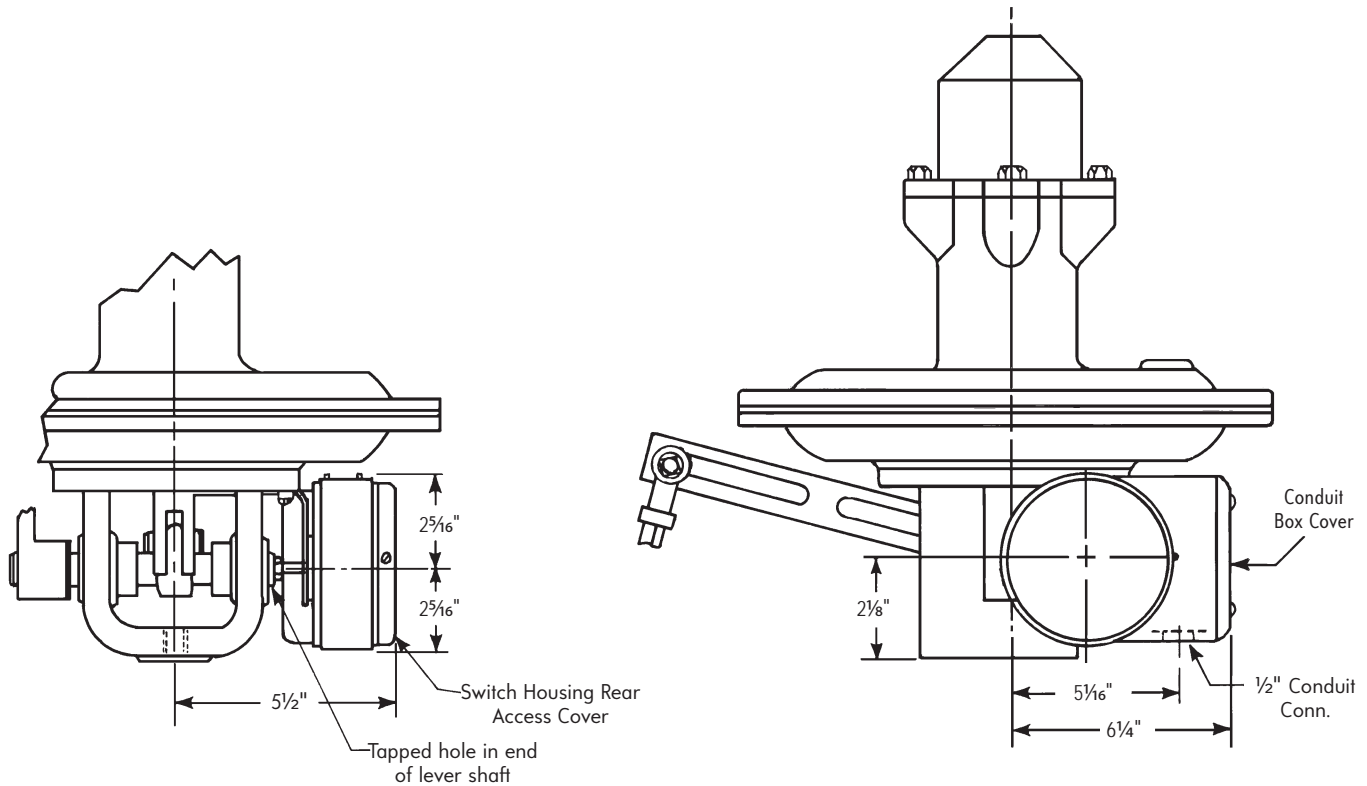


# Dimensions | Air Motor with Auxiliary Switch

**DIMENSIONS** 1600- -A Air Motor. (For detail dimensions of 1600 Air motor, see Bulletin 1600.)



**1600- -A Switch Kit Assemblies** are available for field assembly to 1600 Air Motors (built since 1972--such motors can be identified by a drilled and tapped hole in the end of the lever shaft opposite the lever (see sketch)).

**To Order, Specify:** 1600- -A Air Motor with 2-2207-6 lever arm (for 1136, 1146, and 1156 Wafer Valves).  
1600- -A Air Motor with 2-2207-5 lever arm (for all other valves).

To order the switch kit only, specify, 1600A-ASK Auxiliary Switch Kit only.

DIMENSIONS SHOWN ARE SUBJECT TO CHANGE. PLEASE OBTAIN CERTIFIED PRINTS FROM FIVES NORTH AMERICAN COMBUSITON, INC.  
IF SPACE LIMITATIONS OR OTHER CONSIDERATIONS MAKE EXACT DIMENSION(S) CRITICAL.

**WARNING:** Situations dangerous to personnel and property may exist with the operation and maintenance of any combustion equipment. The presence of fuels, oxidants, hot and cold combustion products, hot surfaces, electrical power in control and ignition circuits, etc., are inherent with any combustion application. Components in combustion systems may exceed 160°F (71°C) surface temperatures and present hot surface contact hazard. Fives North American Combustion, Inc. suggests the use of combustion systems that are in compliance with all Safety Codes, Standards, Regulations and Directives; and care in operation.

## CONTACT

fna.sales@fivesgroup.com  
T +1 800 626 3477 - F +1 216 373 4237

Fives North American Combustion, Inc.  
4455 East 71st Street - Cleveland, OH 44105 - USA  
www.fivesgroup.com



fives  
Industry can do it