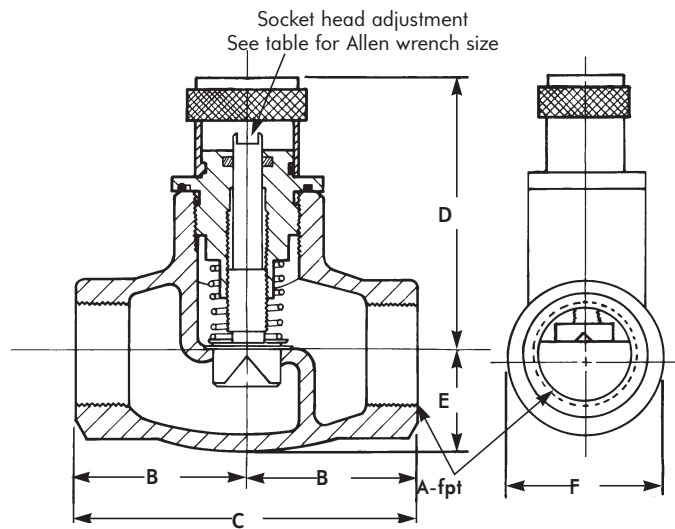


Dimensions | 1807B Limiting Orifice Valve



Valve designation	dimensions in inches						wt, lb.	Allen wrench size
	A	B	C	D	E	F		
1807B-1-C	1	2 $\frac{1}{8}$	4 $\frac{1}{4}$	3 $\frac{3}{32}$	1 $\frac{5}{32}$	2 $\frac{5}{16}$	2 $\frac{3}{4}$	$\frac{5}{32}$
1807B-2-C	1 $\frac{1}{4}$	2 $\frac{7}{16}$	4 $\frac{7}{8}$	3 $\frac{5}{16}$	1 $\frac{7}{16}$	2 $\frac{7}{8}$	4 $\frac{1}{4}$	$\frac{5}{32}$
1807B-3-C	1 $\frac{1}{2}$	2 $\frac{5}{8}$	5 $\frac{1}{4}$	3 $\frac{5}{8}$	1 $\frac{5}{8}$	3 $\frac{1}{4}$	5 $\frac{1}{2}$	$\frac{5}{32}$
1807B-4-C	2	2 $\frac{15}{16}$	5 $\frac{7}{8}$	4 $\frac{1}{8}$	1 $\frac{7}{8}$	3 $\frac{3}{4}$	7 $\frac{1}{2}$	$\frac{5}{32}$
1807B-5-C	2 $\frac{1}{2}$	3 $\frac{7}{8}$	7 $\frac{3}{4}$	4 $\frac{21}{32}$	2 $\frac{7}{16}$	4 $\frac{7}{8}$	12 $\frac{1}{2}$	$\frac{5}{32}$
1807B-6-C	3	4 $\frac{7}{8}$	9 $\frac{3}{4}$	6	2 $\frac{15}{16}$	5 $\frac{7}{8}$	20	$\frac{5}{32}$

DIMENSIONS SHOWN ARE SUBJECT TO CHANGE. PLEASE OBTAIN CERTIFIED PRINTS FROM FIVES NORTH AMERICAN COMBUSTION, INC. IF SPACE LIMITATIONS OR OTHER CONSIDERATIONS MAKE EXACT DIMENSION(S) CRITICAL.