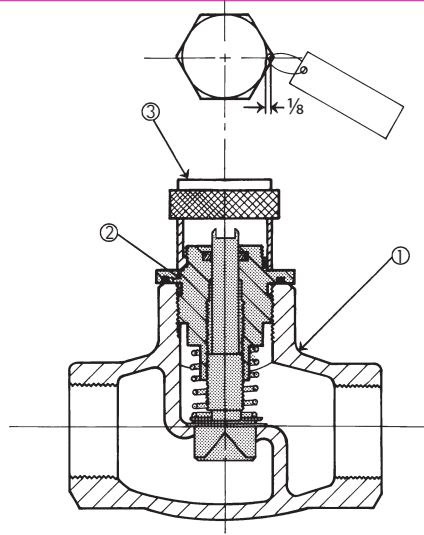


# Ordering Information and Parts List | Limiting Orifice Valve



Shaded portion is gas cartridge assy.

The 1807-\_-C Limiting Orifice Valve is the same as the 1807B-\_-C, but with a cast iron body. This valve may be used in some oxygen applications providing the system pressure is less than 25 psi and pipe velocity is less than 100 FPS, see bulletin 1807.

## ORDERING INFORMATION

To order complete valve:

1807B -      - C

Pipe Code

- 1 = 1
- 2 = 1¼
- 3 = 1½
- 4 = 2
- 5 = 2½
- 6 = 3

**TO ORDER PARTS, SPECIFY Part Number, Part Name, and Valve Designation**

*Example: 2-7007-10 Gas Cartridge Assembly for 1807B-2-C or 1807-2-C*

Item	Part Name	1807B-1-C	1807B-2-C	1807B-3-C	1807B-4-C	1807B-5-C	1807B-6-C
1	Body (brass 1807B) (cast iron 1807-C)	2-1702-4 2-9169-1	2-1677-4 2-9169-2	2-1680-4 2-9169-3	2-1682-4 2-9169-4	2-3465-4 2-9169-5	2-3468-4 2-9169-6
2	Gas Cartridge Assembly	2-7007-11	2-7007-12	2-7007-13	2-7007-14	2-7007-15	2-7007-16
3	Stuffing Box Cap	2-0682-1	2-0682-1	2-0682-1	2-0682-1	2-0682-1	2-0682-1

**WARNING:** Situations dangerous to personnel and property may exist with the operation and maintenance of any combustion equipment. The presence of fuels, oxidants, hot and cold combustion products, hot surfaces, electrical power in control and ignition circuits, etc., are inherent with any combustion application. Components in combustion systems may exceed 160°F (71°C) surface temperatures and present hot surface contact hazard. Fives North American Combustion, Inc. suggests the use of combustion systems that are in compliance with all Safety Codes, Standards, Regulations and Directives; and care in operation.

### CONTACT

fna.sales@fivesgroup.com  
T +1 800 626 3477 - F +1 216 373 4237

Fives North American Combustion, Inc.  
4455 East 71st Street - Cleveland, OH 44105 - USA  
www.fivesgroup.com



fives  
Industry can do it