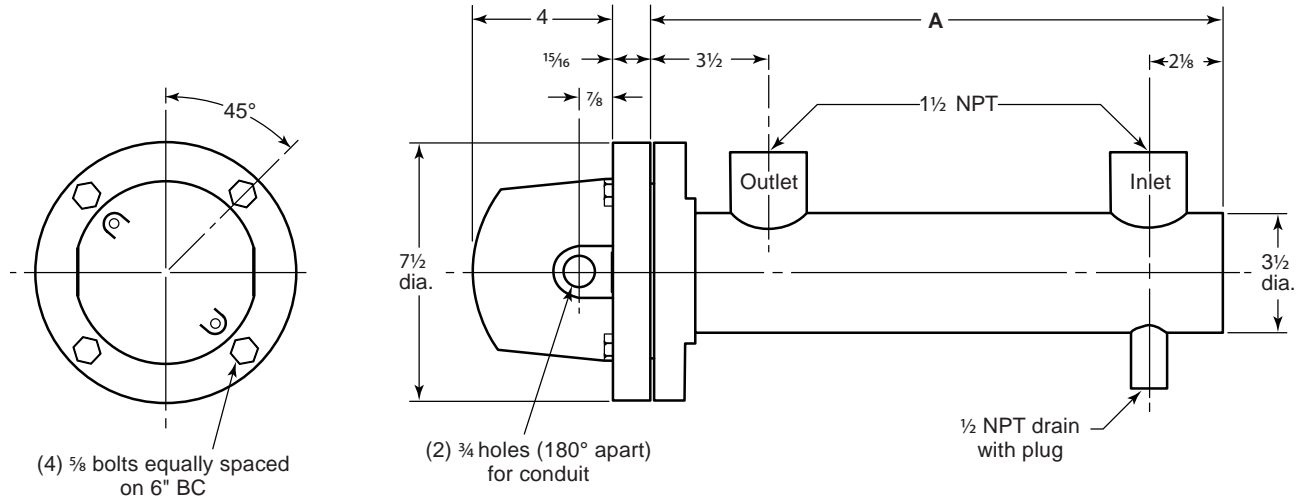


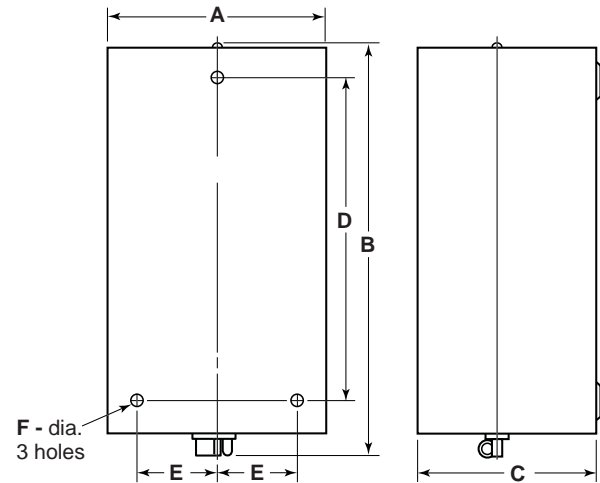
HEATER DIMENSIONS inches



Heater designation	dimension "A"		weight in lb	
	208 volt	230-460 volt	208 volt	230-460 volt
8587-5	30 ¹ / ₈	24 ⁷ / ₈	65	60
8587-6	39 ¹ / ₈	30 ¹ / ₈	75	65
8587-8	49 ³ / ₈	39 ¹ / ₈	85	75
8587-10	57 ³ / ₈	49 ³ / ₈	100	85
8587-12	71 ⁵ / ₈	57 ³ / ₈	110	100
8587-15	85 ⁵ / ₈	71 ⁵ / ₈	150	110
8587-18	95 ⁷ / ₈	85 ⁵ / ₈	165	150
8587-20	114 ¹ / ₈	95 ⁷ / ₈	185	165
8587-24	114 ¹ / ₈	114 ¹ / ₈	185	185

CONTACTOR DIMENSIONS inches

Contactor designation	A	B	C	D	E	F	Approx. wt, lb
R190-9911	6 ¹ / ₁₆	10 ⁵ / ₈	5 ²¹ / ₃₂	8 ¹ / ₄	2 ³ / ₈	7 ⁵ / ₃₂	6 ³ / ₄
R190-9921	7 ⁵ / ₁₆	13 ³ / ₄	5 ²¹ / ₃₂	10 ³ / ₄	2 ⁵ / ₈	9 ¹ / ₃₂	9 ¹ / ₂
R190-9924	10 ¹ / ₄	20 ³ / ₁₆	7 ⁷ / ₈	16	3 ³ / ₄	1 ¹ / ₃₂	27



To order, specify: 8587-(size code)-voltage/C [contactor] (ampere) Preheater
or 8587-(size code)-voltage/NC [no contactor] Preheater

Examples: 8587-5-208/C30 Preheater
8587-18-460/NC Preheater

Available electrical characteristics are: 208/3/60, 230/3/60, and 460/3/60
(a single voltage must be specified).

DIMENSIONS SHOWN ARE SUBJECT TO CHANGE. PLEASE OBTAIN CERTIFIED PRINTS FROM FIVES NORTH AMERICAN COMBUSTION, INC.
IF SPACE LIMITATIONS OR OTHER CONSIDERATIONS MAKE EXACT DIMENSION(S) CRITICAL.

WARNING: Situations dangerous to personnel and property may exist with the operation and maintenance of any combustion equipment. The presence of fuels, oxidants, hot and cold combustion products, hot surfaces, electrical power in control and ignition circuits, etc., are inherent with any combustion application. Components in combustion systems may exceed 160°F (71°C) surface temperatures and present hot surface contact hazard. Fives North American Combustion, Inc. suggests the use of combustion systems that are in compliance with all Safety Codes, Standards, Regulations and Directives; and care in operation.



CONTACT US:
Fives North American Combustion, Inc.
4455 East 71st Street - Cleveland, OH 44105 - USA
Tel: +1 216 271 6000 - Fax: +1 216 373 4237
Email: fna.sales@fivesgroup.com



www.fivesgroup.com