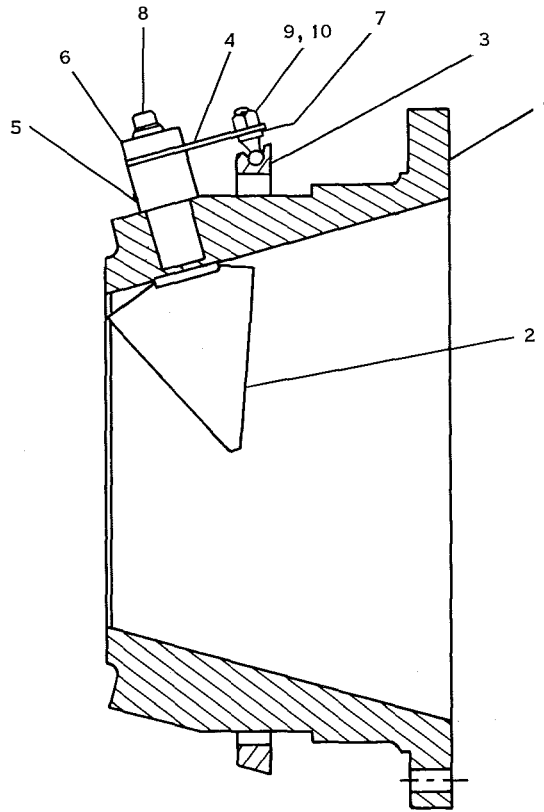


**MODELS OT90 THRU OT350
PREROTATION VANE HOUSING**



| ITEM | PART DESCRIPTION | MODELS | | | | | |
|------|---|-----------|-------|-----------|-------|-----------|-------|
| | | LTD - 53 | | LTD - 59 | | LTD - 67 | |
| | | PART NO. | QUAN. | PART NO. | QUAN. | PART NO. | QUAN. |
| 1 | HOUSING, PRE-ROTATION | 064-14519 | 1 | 064-14520 | 1 | 064-13486 | 1 |
| 2 | VANE, PRE-ROTATION | 064-09285 | 9 | 064-09285 | 9 | 064-10618 | 9 |
| 3 | RING, VANE DRIVING | 064-09286 | 1 | 064-09286 | 1 | 064-10815 | 1 |
| 4 | ARM, VANE | 064-09291 | 9 | 064-09291 | 9 | 064-10818 | 9 |
| 5 | WASHER | 064-09290 | 9 | 064-09290 | 9 | 064-10819 | 9 |
| 6 | WASHER - SPECIAL | 064-09289 | 9 | 064-09289 | 9 | 064-09289 | 9 |
| 7 | WASHER | 021-11973 | 10 | 021-11973 | 10 | 021-11973 | 10 |
| 8 | SCREW, CAP 12PT. HD. $\frac{3}{8}$ -24UNF X 2 LG. | 021-11742 | 9 | 021-11742 | 9 | 021-11956 | 9 |
| 9 | SCREW, BALL | 029-07017 | 9 | 029-07017 | 9 | 029-07017 | 9 |
| 10 | NUT, HEX, $\frac{1}{4}$ -28UNF 33 | 021-12943 | 9 | 021-12943 | 9 | 021-12943 | 9 |

| ITEM | PART DESCRIPTION | MODELS | | | | | |
|------|---|-----------|-------|-----------|-------|-----------|-------|
| | | LTD - 76 | | LTD - 85 | | LTD - 95 | |
| | | PART NO. | QUAN. | PART NO. | QUAN. | PART NO. | QUAN. |
| 1 | HOUSING, PRE-ROTATION | 064-13485 | 1 | 064-13481 | 1 | 064-13482 | 1 |
| 2 | VANE, PRE-ROTATION | 064-10618 | 9 | 064-08822 | 8 | 064-08822 | 8 |
| 3 | RING, VANE DRIVING | 064-10815 | 1 | 064-08813 | 1 | 064-08813 | 1 |
| 4 | ARM, VANE | 064-10818 | 9 | 064-08814 | 8 | 064-08814 | 8 |
| 5 | WASHER | 064-10819 | 9 | 064-09061 | 8 | 064-09061 | 8 |
| 6 | WASHER - SPECIAL | 064-09289 | 9 | 064-08815 | 8 | 064-08815 | 8 |
| 7 | WASHER | 021-11973 | 10 | 021-11973 | 10 | 021-11973 | 10 |
| 8 | SCREW, CAP 12PT. HD. $\frac{3}{8}$ -24UNF X 2 LG. | 021-11956 | 9 | 021-11743 | 8 | 021-11743 | 8 |
| 9 | SCREW, BALL | 029-07017 | 9 | 029-07017 | 8 | 029-07017 | 8 |
| 10 | NUT, HEX, $\frac{1}{4}$ -28UNF 33 | 021-12943 | 9 | 021-12943 | 8 | 021-12943 | 8 |

FIG. 45—Prerotation Vane Assembly LTD53 thru LTD95