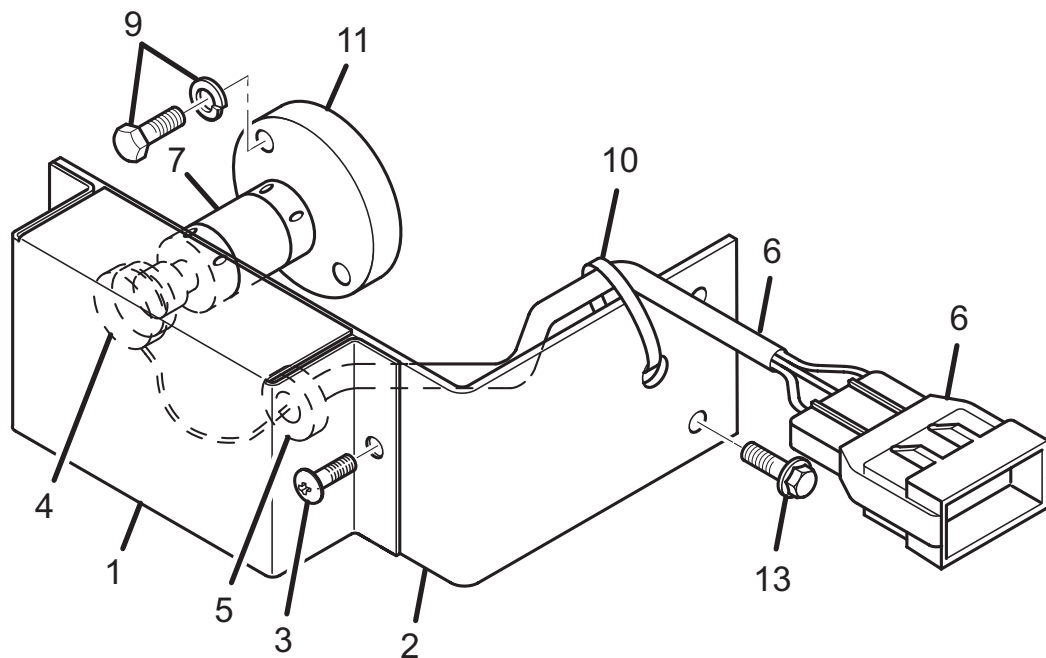


PRV / VGD POSITION SENSOR KIT (371 05520 001)

TABLE 29 - PRV / VGD POSITION SENSOR KIT

ITEM	DESCRIPTION	PART NUMBER	QUANTITY	FIGURE																													
1	Cover, PRV Position Sensor	071 02012 002	1	56																													
2	Bracket, Support Upper PRV	371 02012 209	1	56																													
3	Screw, Tapping Thread Forming	021 13757 000	2	56																													
4	POT, 2500 Ohms 2 Watt	025 32570 000	1	56																													
5	Bushing, Strain Relief Straight	025 09080 000	1	56																													
6	Cable, PRV Sensor VSD	571 02012 005	1	56																													
7	Coupling, Shaft, Flexible	029 24196 000	1 </tr <tr> <td>8</td> <td>Screw, Cap Hex Soc Hd #10</td> <td>021 18674 000</td> <td>2</td> <td>56</td> </tr> <tr> <td>9</td> <td>Lockwasher, Hel Spg #10</td> <td>032 08292 000</td> <td>2</td> <td>56</td> </tr> <tr> <td>10</td> <td>Strap, Cable T&B L4-18-9-M</td> <td>025 18167 000</td> <td>1</td> <td>56</td> </tr> <tr> <td>11</td> <td>Cap, PRV Sensor</td> <td>071 02012 006</td> <td>1</td> <td>56</td> </tr> <tr> <td>12</td> <td>Shaft, PRV Position Sensor</td> <td>071 02012 007</td> <td>1</td> <td>56</td> </tr> <tr> <td>13</td> <td>Screw, Washer Assembly</td> <td>021 18487 000</td> <td>2</td> <td>56</td> </tr>	8	Screw, Cap Hex Soc Hd #10	021 18674 000	2	56	9	Lockwasher, Hel Spg #10	032 08292 000	2	56	10	Strap, Cable T&B L4-18-9-M	025 18167 000	1	56	11	Cap, PRV Sensor	071 02012 006	1	56	12	Shaft, PRV Position Sensor	071 02012 007	1	56	13	Screw, Washer Assembly	021 18487 000	2	56
8	Screw, Cap Hex Soc Hd #10	021 18674 000	2	56																													
9	Lockwasher, Hel Spg #10	032 08292 000	2	56																													
10	Strap, Cable T&B L4-18-9-M	025 18167 000	1	56																													
11	Cap, PRV Sensor	071 02012 006	1	56																													
12	Shaft, PRV Position Sensor	071 02012 007	1	56																													
13	Screw, Washer Assembly	021 18487 000	2	56																													

NOTE: Items with an * are NOT represented.


FIGURE 56 - PRV / VGD POSITION SENSOR KIT

LD14879