

EVAPORATOR MARINE WATERBOX

TABLE 53 - EVAPORATOR 150# MARINE WATERBOX (MOD A)

| SHELL | 1 PASS | | 2 PASS | | 3 PASS | |
|-------|------------|------------|------------|------------|------------|------------|
| | GASKET P/N | FEET REQ'D | GASKET P/N | FEET REQ'D | GASKET P/N | FEET REQ'D |
| XF | 028 03242 | 76' | 028 09951 | 12' | 028 09951 | 23.5' |
| XH | | | 028 03242 | 57' | 028 03242 | 76' |
| YF | 028 03242 | 76' | 028 09951 | 12' | 028 09951 | 23.5' |
| YG | | | 028 03242 | 57' | 028 03242 | 76' |
| YH | | | | | | |
| ZF | 028 03242 | 76' | 028 09951 | 12' | 028 09951 | 227' |
| ZG | | | 028 03242 | 57' | 028 03242 | 86' |
| ZH | | | | | | |
| AF | 028 03242 | 76' | 028 09951 | 12' | 028 09951 | 227' |
| AG | | | 028 03242 | 57' | 028 03242 | 86' |
| AH | | | | | | |

NOTE: When ordering Gasket Material specify length required by replacing the -000 with either -025 for 25', -050 for 50', or -100 for 100'.

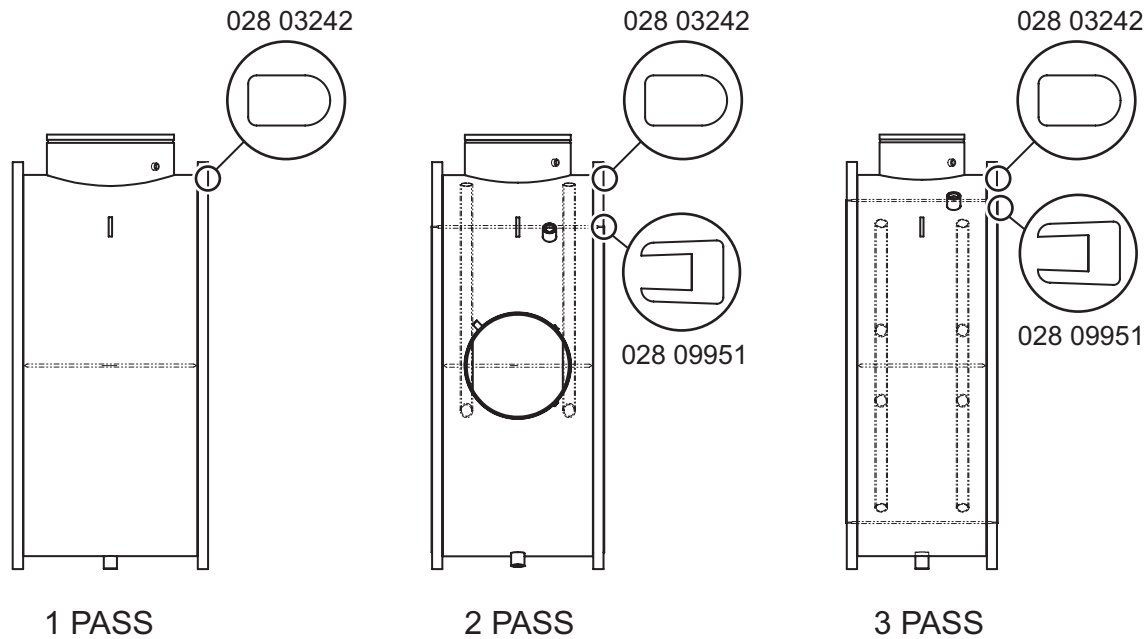


FIGURE 66 - EVAPORATOR 150# MARINE WATERBOX (MOD A)

LD15383