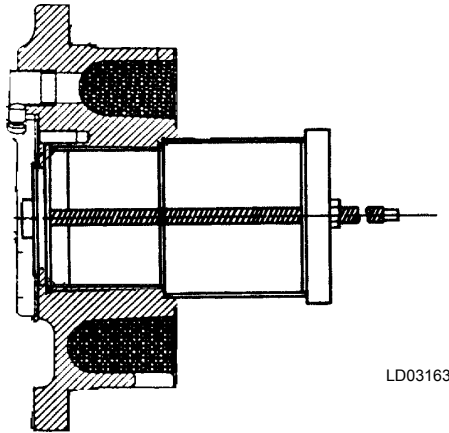


FIG. 40 – PUMP END BEARING

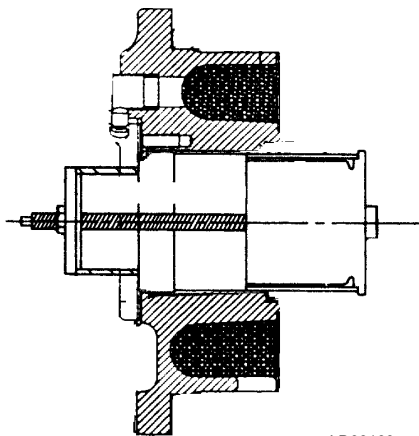


LD03163

DETAIL A – PUMP END BEARING (REMOVAL)

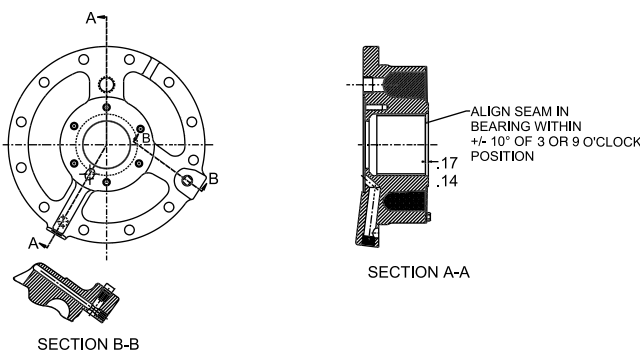
NOTES:

1. Axial force required to assemble bearing into housing is 1500 min. to 3500 max. lbs.
2. Bearing dia. shall be 3.0030 / 3.0045 (ref.) after insertion into housing and accept a full depth (2.5 min.) plug gauge. Go dia.: 3.0022.



LD03163

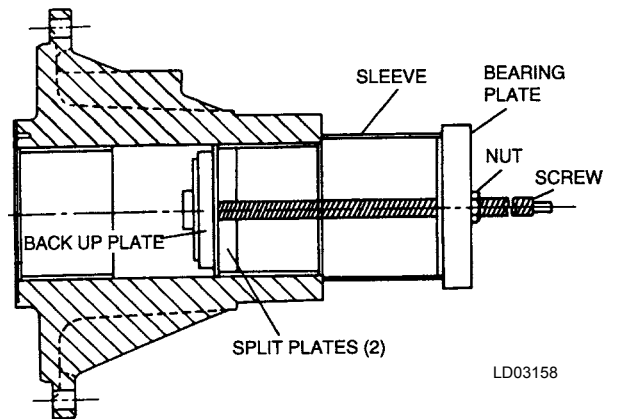
DETAIL B – PUMP END BEARING (INSTALLATION)



LD06922

DETAIL C – PUMP END BEARING COMPLETE

FIG. 41 – MOTOR END BEARINGS



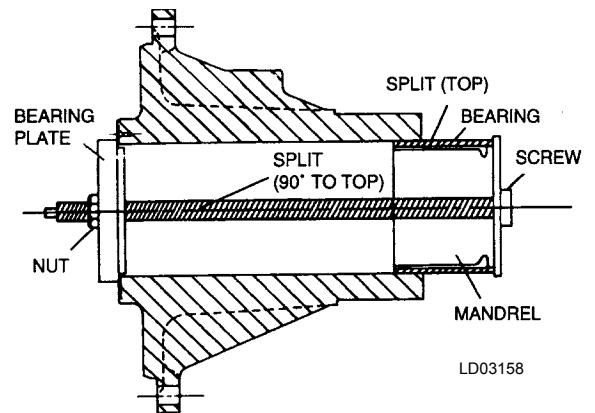
LD03158

DETAIL A – MOTOR END BEARING (REMOVAL)

NOTES:

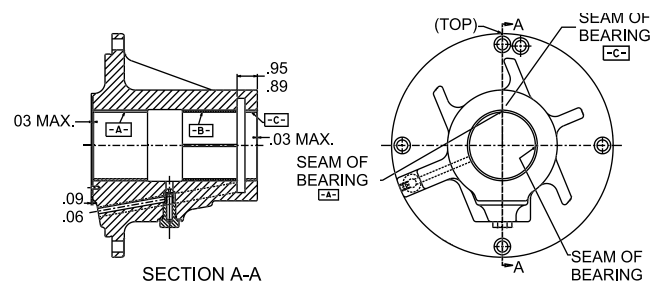
1. Align seam of bearing -C- within +/- 10° of the top.
2. Align seam of bearings -A- and -B- at 90° +/- 10° from the top, on either side of vertical centerline.
3. Axial force required to assemble bearing into housing is 1500 min. to 3500 max. lbs.
4. Bearing dia. shall be 3.0030 / 3.0045 (ref.) after insertion into housing. Bearing -A- must accept a full depth (2.5 min) plug gauge. Go dia.: 3.0022. Bearings -B- and -C- must accept a full depth (3.5 min.). Plug gauge. Go dia.: 3.0022.

2



LD03158

DETAIL B – MOTOR END BEARING (INSTALLATION)



LD06923

DETAIL C – MOTOR END BEARING COMPLETE