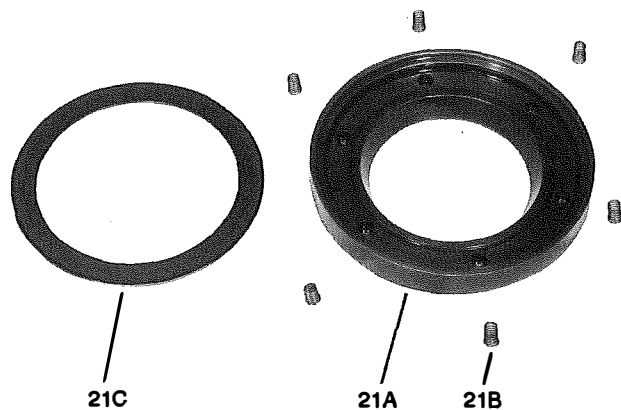


ITEM NO.	DESCRIPTION	PART NO.
19	Discharge Valve Cage Assembly	665-25183-000
19A	Cage, Discharge	065-25178
19B	Spring (6/Valve - 36 / Pkg.)	229-15292-800
19C	Valve, Discharge	065-25184
19D	Disk	065-25177
19E	Screw	021-17219
19F	Nut, Locking (5 / Pkg.)	221-09610-800

#24813

**FIG. 3 - DISCHARGE VALVE CAGE ASSEMBLY**



ITEM NO.	DESCRIPTION	PART NO.
21	Suction Valve Plate Assembly Z6AE	665-25181-000 655-25354-000
21A	Valve Plate Z6AE	065-25174-000 065-25324-000
21B	Spring (6 Per Valve - 36 / Pkg.)	229-15292-000
21C	Valve, Suction Z6AE	065-25182-000 065-25321-000

#24812

**FIG. 4 - SUCTION VALVE PLATE ASSEMBLY**