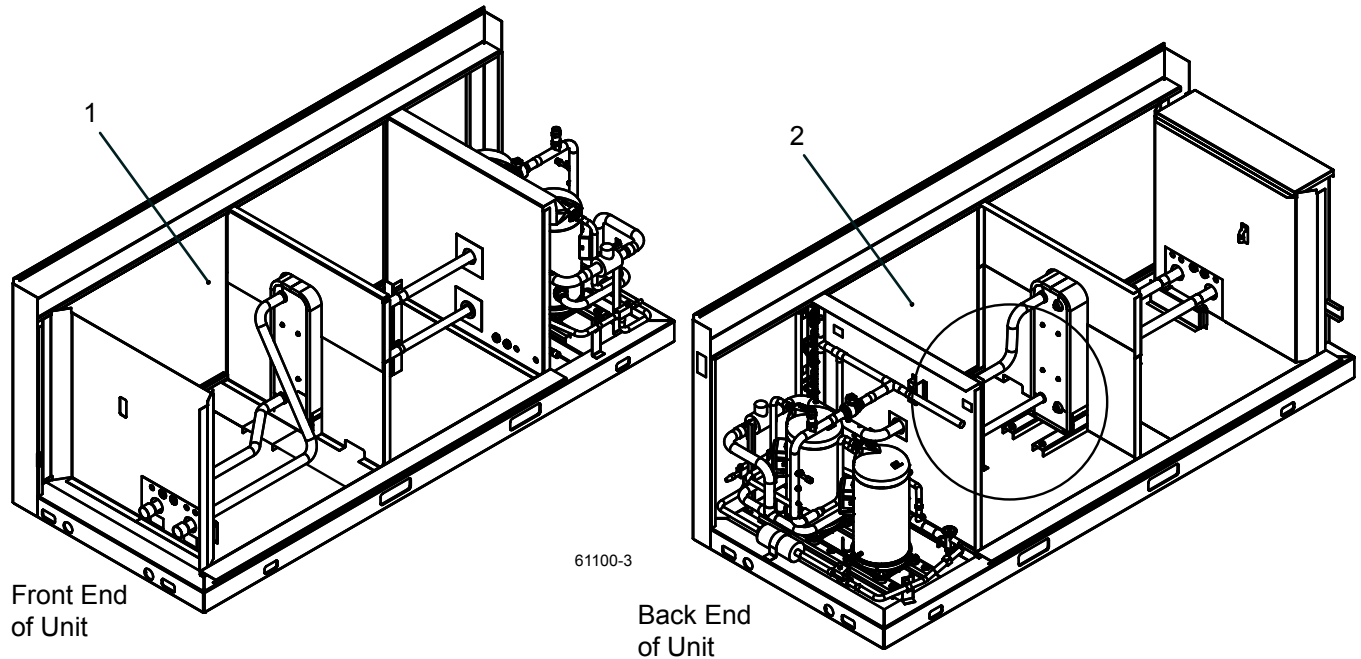


## SECTION 1 - CONDENSER COIL COMPONENTS



Front End of Unit

Back End of Unit

Reference Table 1 on page 7.

**\*NOTE:** Single Circuit Model Shown.

**FIGURE 1 - CONDENSER COIL LAYOUT**

**TABLE 1 - CONDENSER COIL COMPONENTS**

ITEM	DESCRIPTION	QCC2015C	QCC2020C	QCC2025C AND QCC2030C	QUANTITY
<b>ALUMINUM FIN COILS</b>					
1	Coil Module*	375-58294-103	375-58294-203	375-58294-303	1
2		375-58294-104	375-58294-204	375-58294-304	1
<b>COPPER COILS</b>					
1	Coil Module*	375-58294-113	375-58294-213	375-58294-313	1
2		375-58294-114	375-58294-214	375-58294-314	1
<b>BLACK FIN COILS</b>					
1	Coil Module*	375-58294-123	375-58294-223	375-58294-323	1
2		375-58294-124	375-58294-224	375-58294-324	1
<b>PHENOLIC COILS</b>					
1	Coil Module*	375-58294-133	375-58294-233	375-58294-333	1
2		375-58294-134	375-58294-234	375-58294-334	1

**\*NOTE:** Coil Module includes coil and headers. See Figure 1 on page 7.