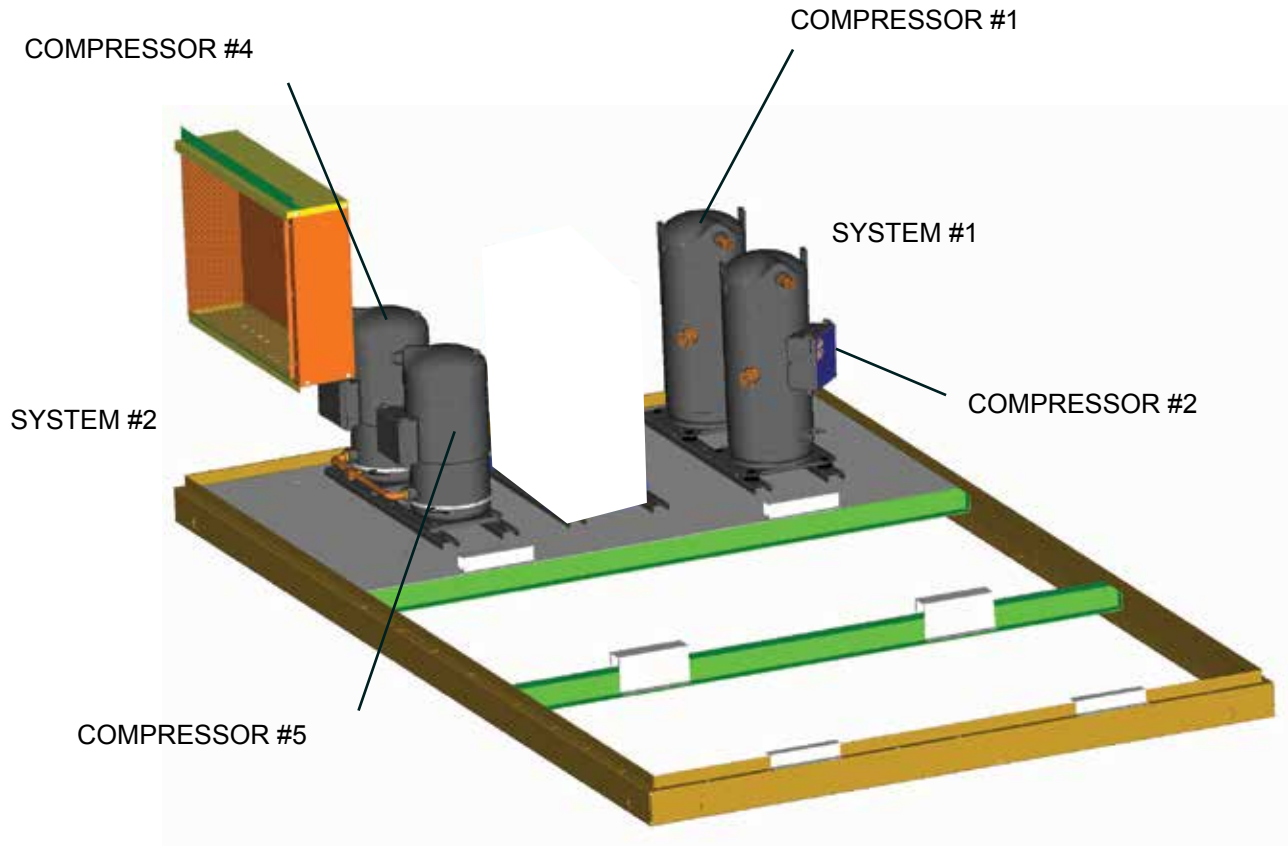
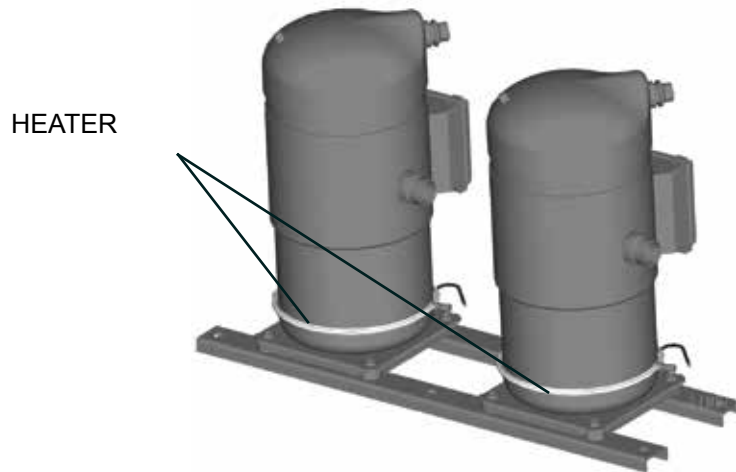


## SECTION 4 - COMPRESSOR COMPONENTS



55692-000-A



Reference Tables 10 and 11 starting on page 23

**FIGURE 9 - COMPRESSOR - TYPICAL LAYOUT**

**TABLE 9 - RECOMMENDED OIL TYPE**

ITEM	REFRIGERANT	DESCRIPTION	(6) 1 GALLON	5 GALLON
OIL <sup>S</sup>	R-410A	OIL, COMPRESSOR (TYPE 'V')	011-00948-000	011-00949-000

<sup>S</sup> = Recommended Spare Part