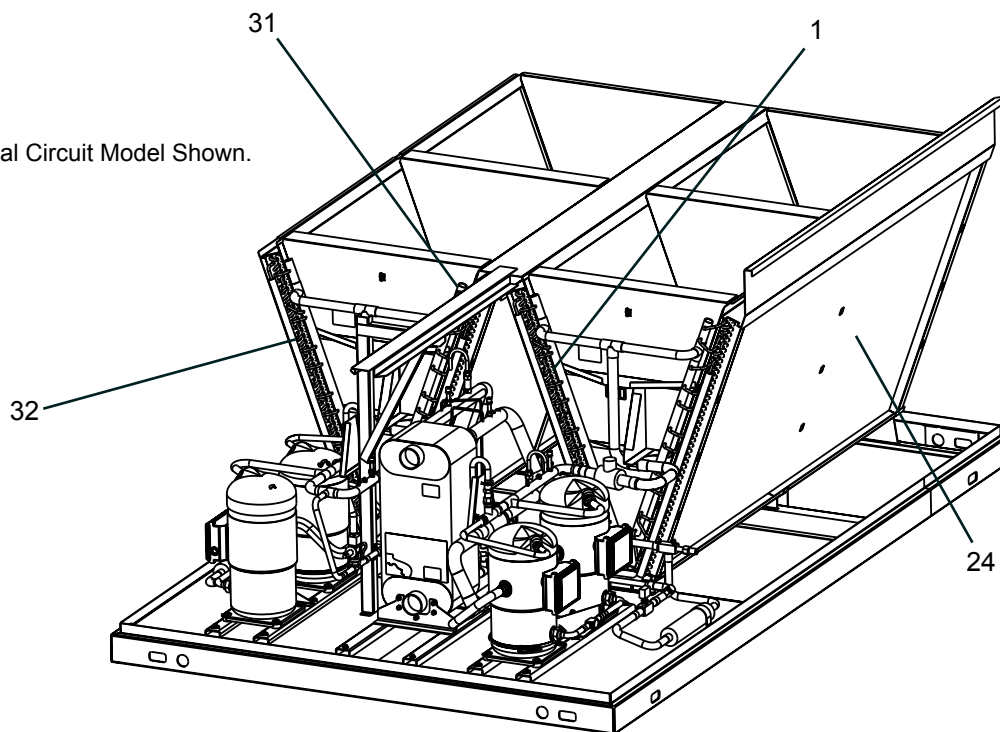


TABLE 6 - CONDENSER COIL COMPONENTS (QTC2035T - QTC2045T)

ITEM	DESCRIPTION	QUANTITY	QTC2035T and QTC2040T	QTC2045T	FIGURE
ALUMINUM FIN COILS					
1	Coil Module*	1	375-58294-202	375-58294-401	6
24		1	375-58294-201	375-58294-402	
31		1	375-58294-205	375-58294-404	
32		1	375-58294-206	375-58294-403	
COPPER COILS					
1	Coil Module*	1	375-58294-212	375-58294-411	6
24		1	375-58294-211	375-58294-412	
31		1	375-58294-215	375-58294-414	
32		1	375-58294-216	375-58294-413	
BLACK FIN COILS					
1	Coil Module*	1	375-58294-222	375-58294-421	6
24		1	375-58294-221	375-58294-422	
31		1	375-58294-225	375-58294-424	
32		1	375-58294-226	375-58294-423	
PHENOLIC COILS					
1	Coil Module*	1	375-58294-232	375-58294-431	6
24		1	375-58294-231	375-58294-432	
31		1	375-58294-235	375-58294-434	
32		1	375-58294-236	375-58294-433	

*Note:Coil Module includes coil and headers.

*Note: Dual Circuit Model Shown.



LD12477b

FIGURE 6 - CONDENSER COIL LAYOUT