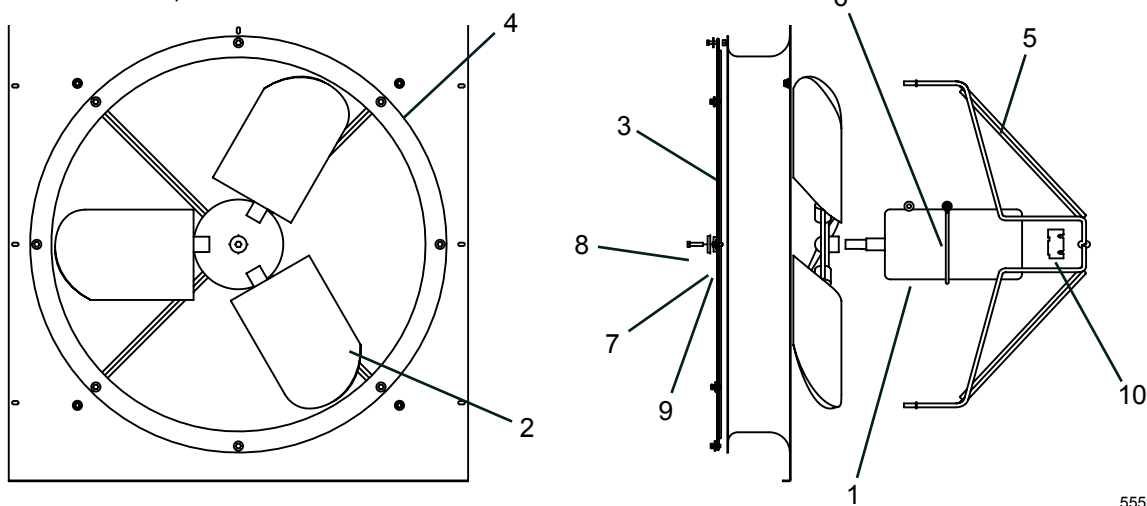


TABLE 8 - FAN COMPONENTS - QTC2025T – QTC2045T

ITEM	DESCRIPTION	MODELS	VOLTAGE CODE	PIN 20=	PART NUMBER	FIGURE
1 ^S	Motor, Fan, 2 HP	All	-17	A, H	024-27322-103	8
			-28		024-27322-106	
			-40		024-27322-104	
			-46		024-27322-207	
			-58	A	024-27322-207	
			-58	H	024-27322-102	
2 ^S	Blade	QTC2025T, QTC2030T, QTC2045T	All	A, H	026-41594-000	
		QTC2035T, QTC2040T			026-41592-000	
3	Guard	QTC2025T, QTC2030T, QTC2045T	All	A, H	026-46008-000	
		QTC2035T, QTC2040T			026-37521-000	
4	Orifice	QTC2025T, QTC2030T, QTC2045T	All	A, H	026-45789-000	
		QTC2035T, QTC2040T			026-42029-000	
5	Support, Fan	QTC2025T - QTC2040T	All	A, H	026-41937-000	
		QTC2045T	17, 28, 40	A, H	026-41937-000	
		QTC2045T	58	H	026-41937-000	
		QTC2045T	46	A, H	026-41938-000	
		QTC2045T	58	A	026-41938-000	
6	Support, Ring	All	All	A, H	026-36367-000	
7	Spacer (.375 I.D.)	All	All	A, H	075-29007-000	
8	Screw, Cap (M8x125)	All	All	A, H	021-18494-000	
9	Spacer (1.406 I.D.)	All	All	A, H	075-40484-000	
10	Hub, Square	QTC2025T, QTC2030T, QTC2045T	17, 28, 40	A, H	026-41939-001	
			58	H	026-41939-001	
		QTC2025T, QTC2030T	46	A, H	026-41939-002	
			58	A	026-41939-002	
		QTC2045T	46	A, H	026-41939-005	
			58	A	026-41939-005	
		QTC2035T, QTC2040T	All	A, H	026-41939-001	

^S = Recommended Spare Parts



55596-000

Service Note: Pin Location 52 in Model Number will be "X" for Standard Fan, or "L" for Ultra Low Noise Fan. See *UNIT NOMENCLATURE NAMEPLATE ENGINEERING DATA* on page 4.

Service Note: Fan Hub to Shaft Joint should be sealed with protective coating - factory uses RUST VETO 344 - a solvent type, rust preventative coating.

FIGURE 8 - FAN COMPONENTS - QTC2025T – QTC2045T