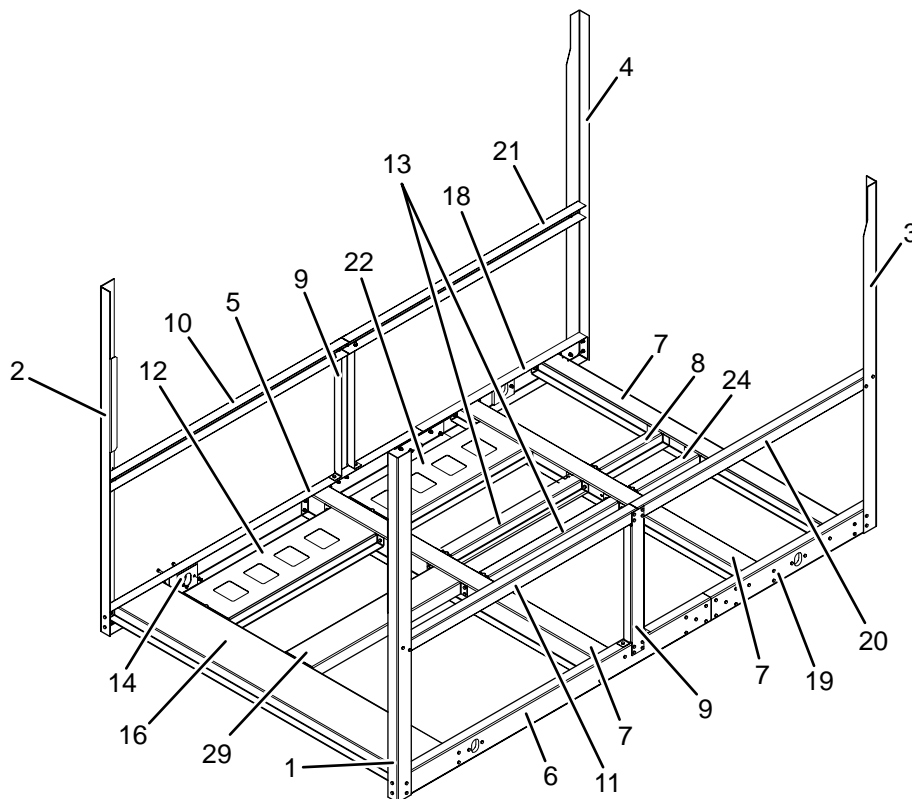


LD18102

**FIGURE 1 - BASE ASSEMBLY QTC3055T - QTC3085T**



LD18103

**FIGURE 2 - BASE ASSEMBLY QTC3090T - QTC3110T**