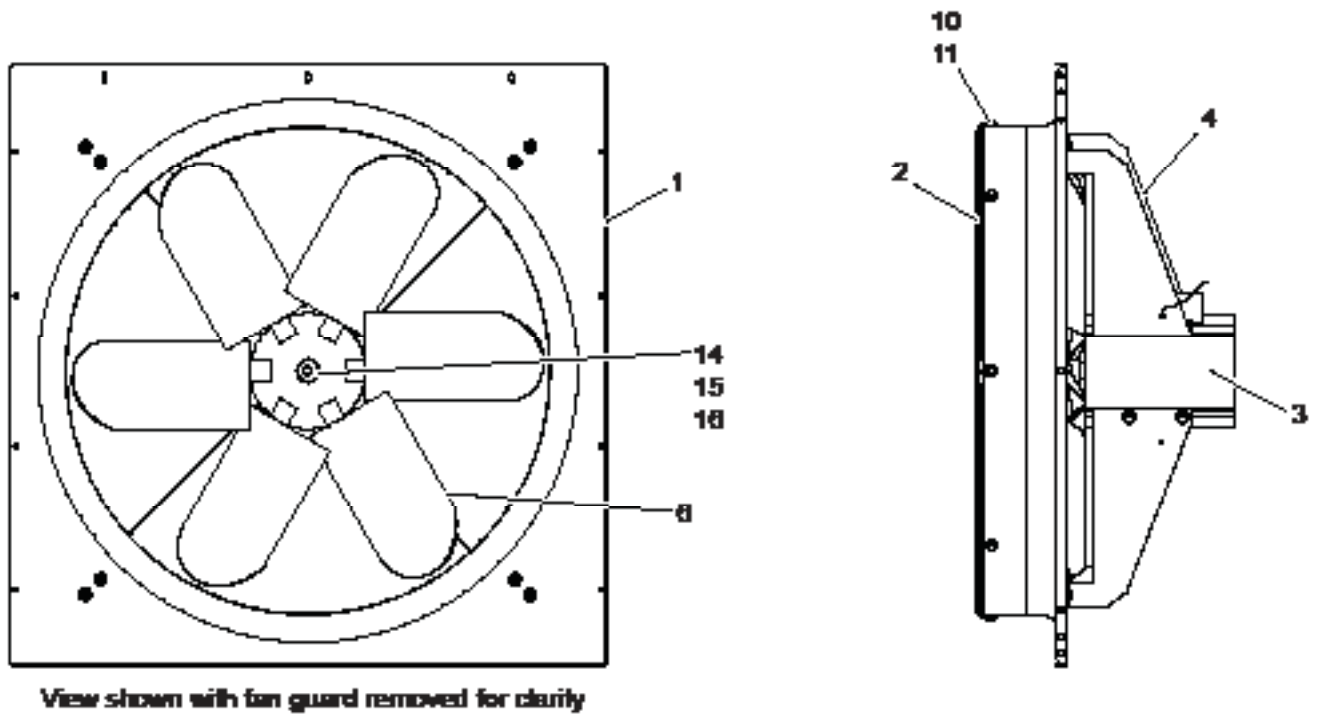


**TABLE 21 - FAN COMPONENTS, HIGH AIR FLOW FANS**

ITEM	VOLTAGE (PIN 11 & 12)	DESCRIPTION	PART NUMBER	QUANTITY
1	40, 46	Orifice	026-45682-000	1
2	40, 46	Guard	026-46008-000	1
3	40	Motor Fan, TEAO, 3 Hp	024-36874-002	1
	46	Motor, Fan, TEAO, 3 Hp 6 Pole	024-36874-003	
4	40, 46	Bracket, Fan Support	075-67014-000	4
6	40, 46	Fan Impeller, 900mm	026-45538-000	1
10	40, 46	Screw, Cap Hex, 1/4" X 3/4" Lg	021-31337-000	8
11	40, 46	Washer, Plain, 5/16" ID X 3/4" OD	021-19314-000	8
14	40	Spacer, Fan Motor	075-40485-000	1
15	40, 46	Spacer, Fan Motor	075-67017-000	1
16	40, 46	Screw, Cap Hex Hd, M10 1.5-6h	021-17791-000	1



LD15899

**FIGURE 25 - FAN COMPONENTS, HIGH AIR FLOW FANS**