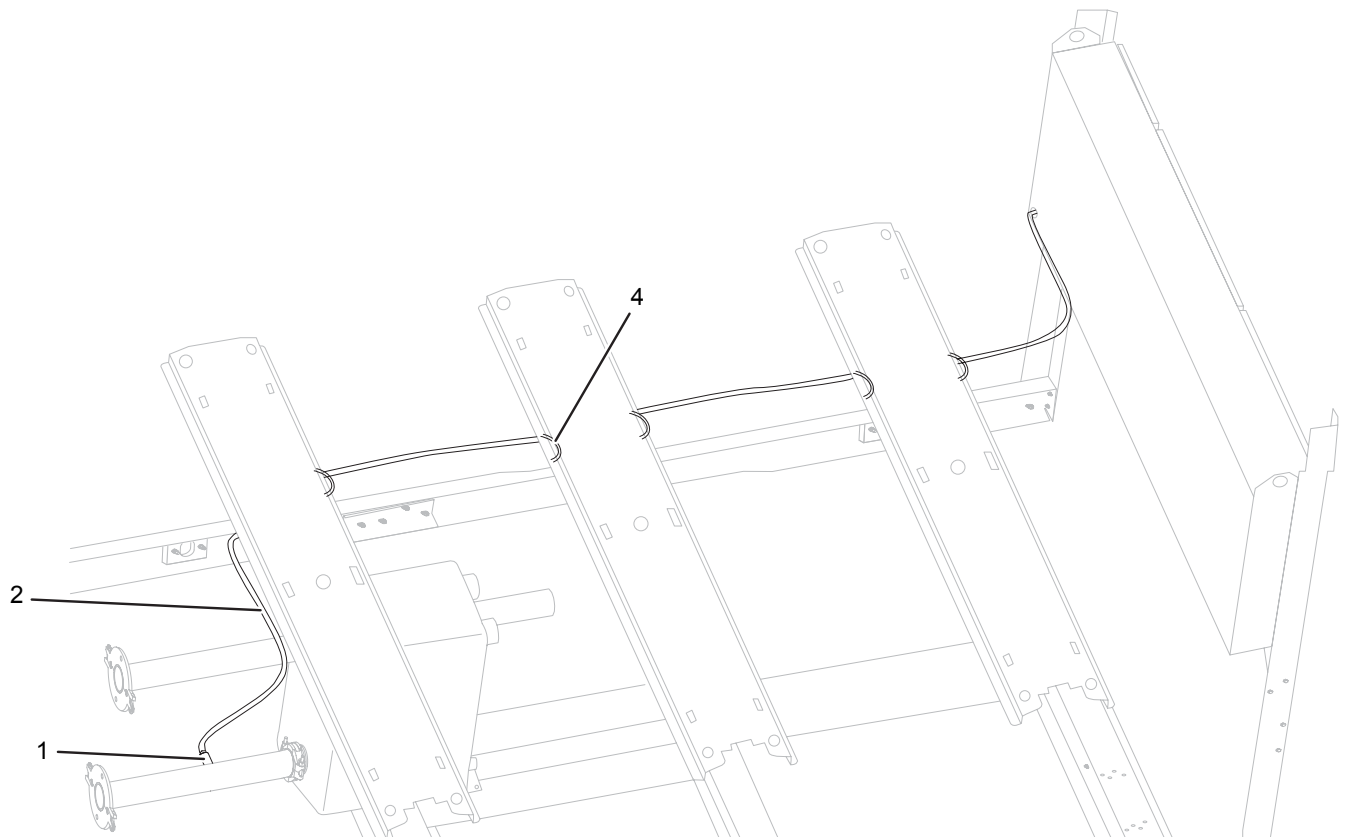


TABLE 83 - ELECTRONIC EXTENSION KIT

ITEM	DESCRIPTION	PART NUMBER	SAP NUMBER	QUANTITY	FIGURE
1	Sensor Flow 1/4" Npt Conn	025-43553-000	618247	1	56
2	Flow Switch Cable	024-38119-000	852692	1	56
4	Strap, Cable	025-39830-000	556821	5	56



LD17096

FIGURE 56 - ELECTRONIC EXTENSION KIT