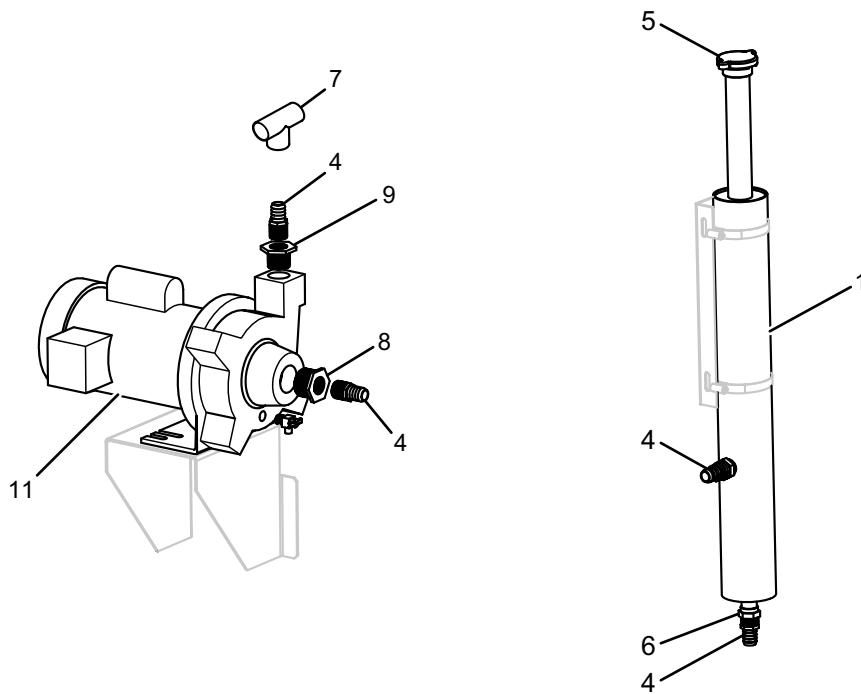


TABLE 68 - GLYCOL LOOP COMPONENTS

ITEM	MODELS	DESCRIPTION	PART NUMBER	SAP NUMBER	FIGURE
1	All Models	Tube Glycol Stand Pipe	075-55649-000	753125	60
4	All Models	Fitting, Hose Barb	023-21929-000	553490	60
5	All Models	Cap, Radiator	023-21927-000	251502	60
6	All Models	Adpt, Sld 7/8 x 3/4	023-00092-000	562520	60
7	All Models	Tee, Barbed 3/4 X 3/4 X 3/4	023-22526-000	733653	60
8	All Models	Bushing, Hex 1-1/4 X 3/4 Steel	023-21935-000	553492	60
9	All Models	Bushing, Hex 1 X 3/4 Steel	023-21934-000	553493	60
11	All Models	Pump, Single Stage Centrifugal (60Hz)	026-41611-000	741049	60
	150S, 165H, 175P, 185(S, H, P), 175C, 210(S, H, P), 230S, 240(H, P), 260S, 270(C, S, H, P), 290H, 300(S, H), 310P, 315P, 320S, 330S, 340(S, H), 400P, 405S, 410(H, P), 450S, 490H, 460S, 470C, 480C, 500S	Pump, Single Stage Centrifugal (50Hz)	026-41611-001	359986	
	370P, 370S, 370H	Pump, Single Stage Centrifugal (50Hz)	026-41611-002	1045701	



LD18981

FIGURE 60 - GLYCOL LOOP COMPONENTS