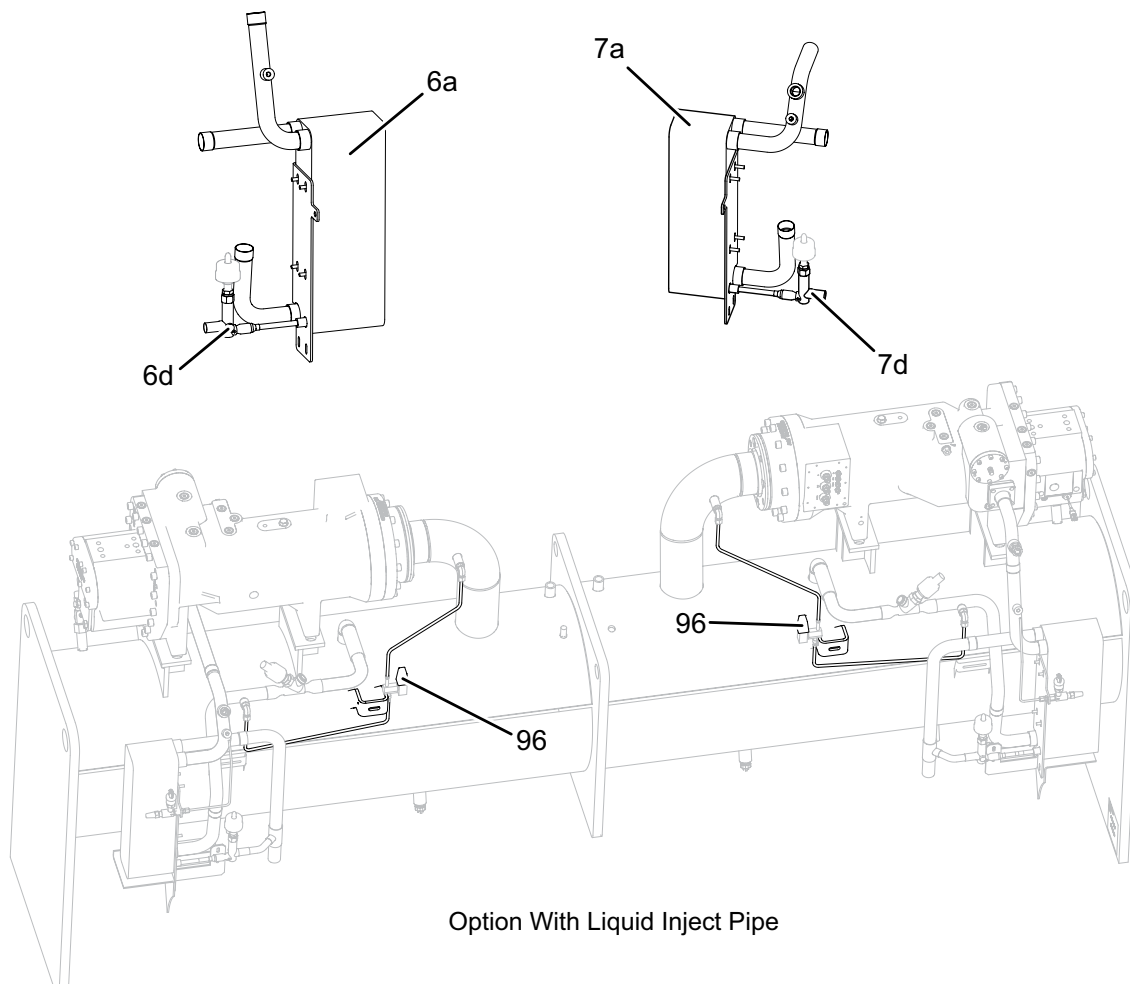


**FIGURE 10 - UNIT PIPING FOR DUAL SYSTEMS**



**FIGURE 11 - UNIT PIPING FOR DUAL SYSTEMS**